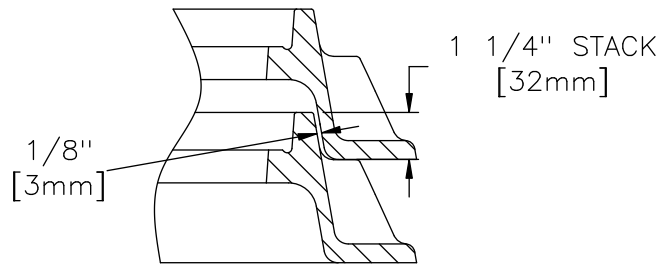
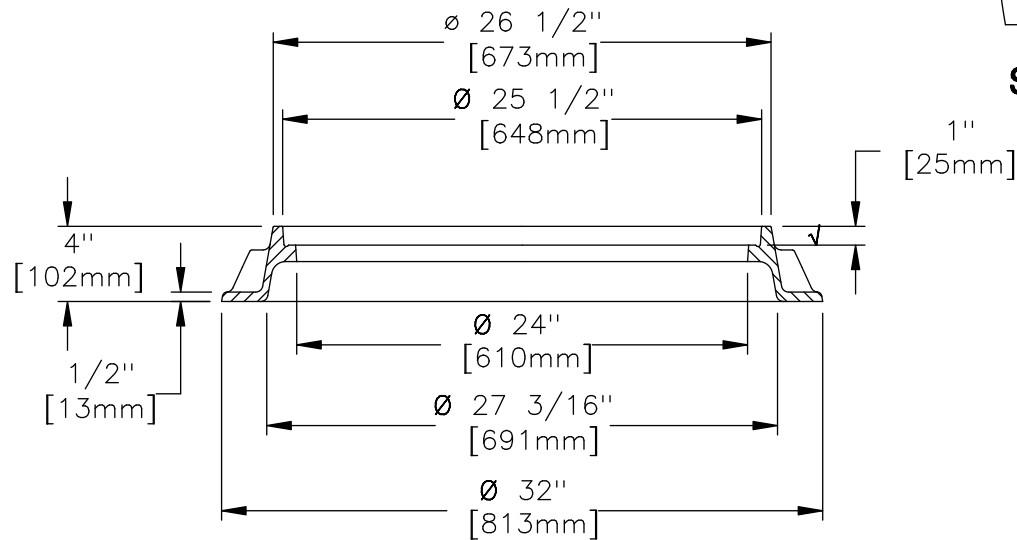


PLAN VIEW



STACKING VIEW



SECTION VIEW

√ MACHINED SURFACE

EAST JORDAN
IRON WORKS, INC.
P.O. BOX 439
EAST JORDAN, MI. 49727
1-800-874-4100
FAX 231-536-4458

DRAWN TCL	DATE 08/19/04
APPROVED	DATE

STACKABLE
MANHOLE FRAME

PRODUCT NO.
00184810

CATALOG NO.
1848Z

REF. PRODUCT DRAWING
00184810 SLD.

EST. WT.
FRAME: 90 LBS 40kg

OPEN AREA
N/A

MAT'L SPEC.
FRAME - GRAY IRON
ASTM A48 CL35B

LOAD RATING
HEAVY DUTY