

PRODUCT NUMBER

00184852

CATALOG NUMBER

1848C

MANHOLE COVER

LOAD RATING

HEAVY DUTY

COATING

DIPPED

ESTIMATED WEIGHT

COVER: 109 LBS 49kg

MATERIAL SPECIFICATION

COVER - GRAY IRON

ASTM A48 CL35B

OPEN AREA

N/A

✓ DESIGNATES MACHINE SURFACE

DRAWN
DEW

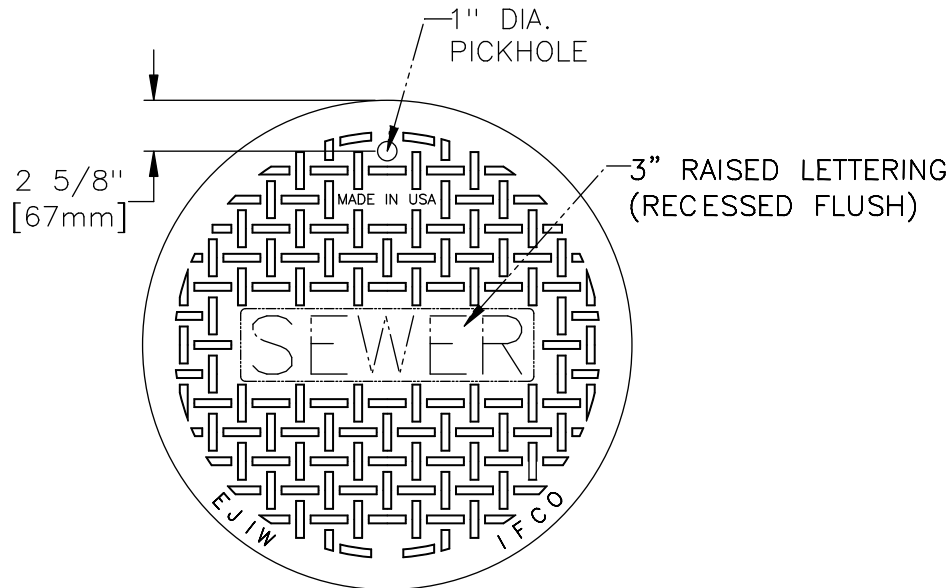
DATE
06/09/06

LAST REVISED

DATE

REFERENCE INFORMATION

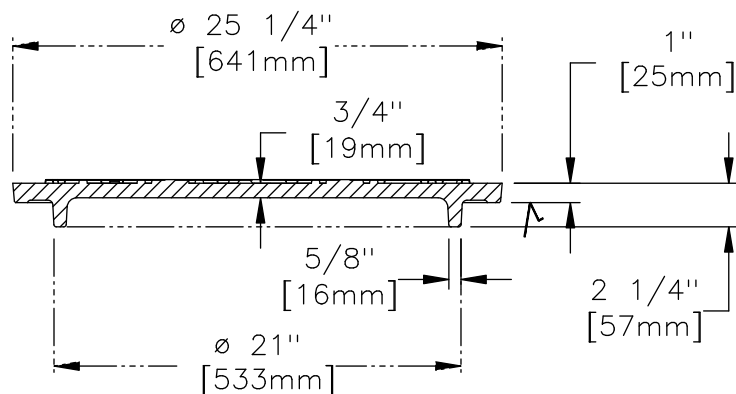
00184822



PLAN VIEW



BOTTOM VIEW



SECTION VIEW