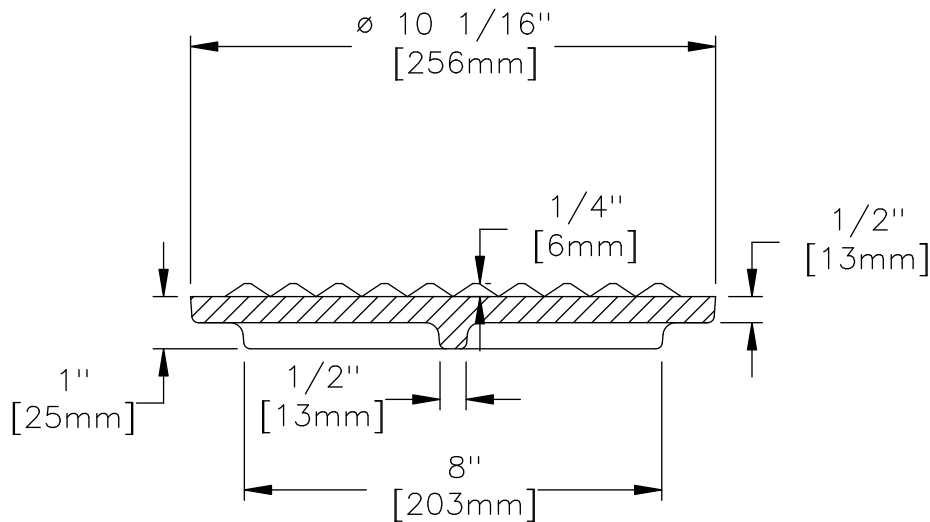


**BOTTOM VIEW**



**SECTION**

**NOTE: NO MACHINING NEEDED**

EAST JORDAN  
IRON WORKS, INC.  
P.O. BOX 439  
EAST JORDAN, MI. 49727  
1-800-874-4100  
FAX 231-536-4458

DRAWN JIJ	DATE 06/13/06
APPROVED	DATE

**INNER WATER  
METER COVER**

PRODUCT NO.  
**00361220**

CATALOG NO.  
**3612A**

REF. PRODUCT DRAWING  
00631220 SLD.

EST. WT.  
COVER: 13 LBS 6kg

OPEN AREA  
N/A

MAT'L SPEC.  
COVER - GRAY IRON  
ASTM A48 CL35B

LOAD RATING  
NON-TRAFFIC