

EJIW EAST JORDAN
IRON WORKS EST. 1883

800-626-4653

www.ejiw.com

MADE IN USA

PRODUCT NUMBER

00367516

CATALOG NUMBER

3675Z1

FRAME

LOAD RATING

HEAVY DUTY

COATING

DIPPED

ESTIMATED WEIGHT

FRAME: 32 LBS 15kg

MATERIAL SPECIFICATION

FRAME - GRAY IRON
ASTM A48 CL35B

OPEN AREA

N/A

√ DESIGNATES MACHINE SURFACE

DRAWN

DEW

DATE

11/29/05

LAST REVISED

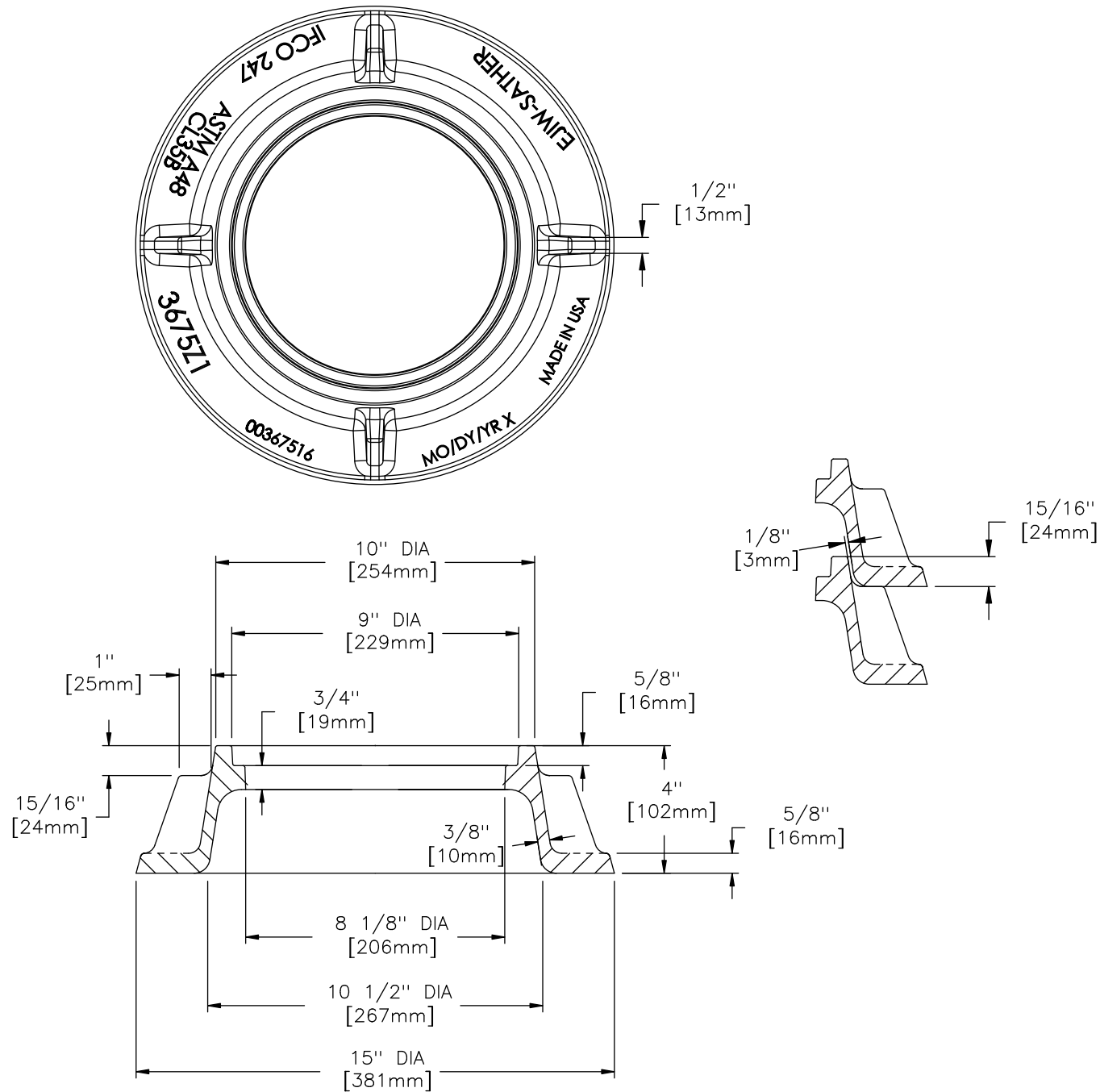
SMH

DATE

11/02/06

REFERENCE INFORMATION

00367516-SLD



SECTION VIEW

CONFIDENTIAL: This drawing is the property of East Jordan Iron Works, Inc. and embodies confidential information, trade secret information, and/or know how that is the property of East Jordan Iron Works, Inc. © Copyright 2006 East Jordan Iron Works, Inc.