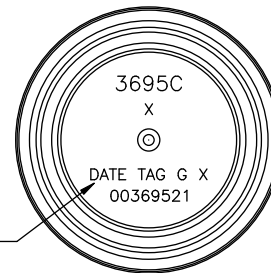
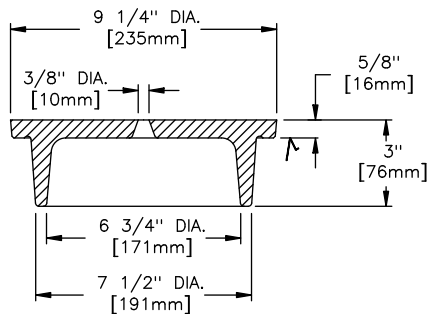


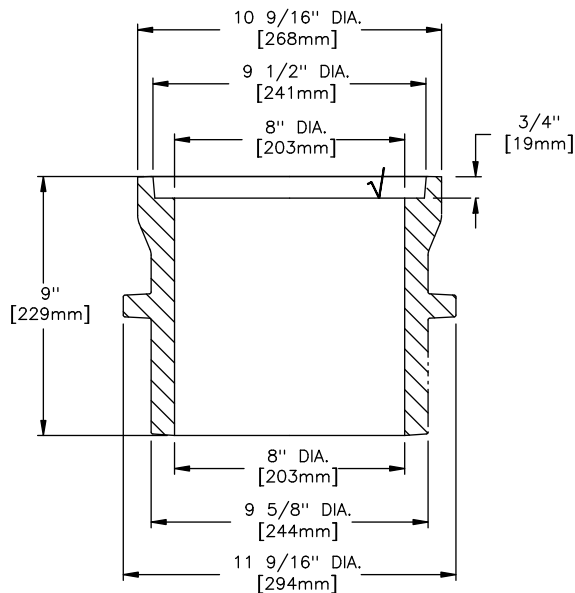
**TOP VIEW**



**BOTTOM VIEW**



**COVER SECTION**



**FRAME SECTION**

CONFIDENTIAL: This drawing is the property of East Jordan Iron Works, Inc. and embodies confidential information, trade secret information, and/or know how that is the property of East Jordan Iron Works, Inc. © Copyright 2006 East Jordan Iron Works, Inc.

**EJIW EAST JORDAN**  
IRON WORKS EST. 1883

800-626-4653  
www.ejiw.com  
MADE IN USA

PRODUCT NUMBER

**00369503**

CATALOG NUMBER

**3695Z  
3695C**

**MONUMENT BOX  
ASSEMBLY**

LOAD RATING

**HEAVY DUTY**

COATING

**UNDIPPED**

ESTIMATED WEIGHT

FRAME: 59 LBS 27kg  
COVER: 18 LBS 8kg  
UNIT: 77 LBS 35kg

MATERIAL SPECIFICATION

COVER - GRAY IRON  
ASTM A48 CL35B  
FRAME - GRAY IRON  
ASTM A48 CL35B

OPEN AREA  
N/A

✓ DESIGNATES MACHINED  
SURFACE

DRAWN  
JIJ

DATE  
01/24/05

LAST REVISED  
DEW

DATE  
12/04/06

REFERENCE INFORMATION

00369511  
00369521