

PRODUCT NUMBER

00369521

CATALOG NUMBER

3695C

MANHOLE COVER

LOAD RATING

HEAVY DUTY

COATING

UNDIPPED

ESTIMATED WEIGHT

COVER: 18 LBS 8kg

MATERIAL SPECIFICATION

COVER - GRAY IRON
ASTM A48 CL35B

OPEN AREA
N/A

✓ DESIGNATES MACHINED
SURFACE

DRAWN
JIJ

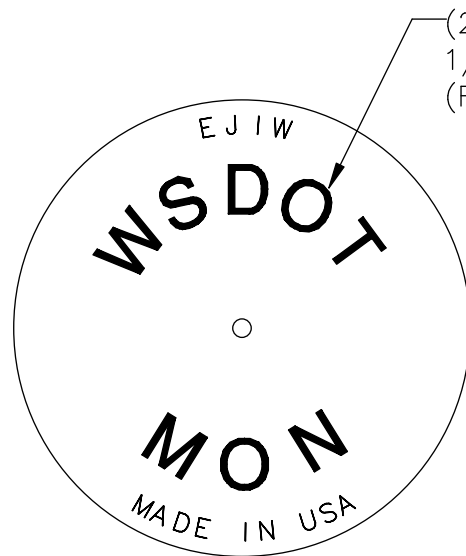
DATE
01/24/05

LAST REVISED
DEW

DATE
12/04/06

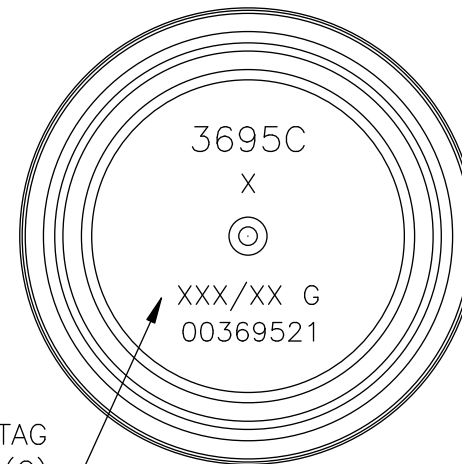
REFERENCE INFORMATION

00369540



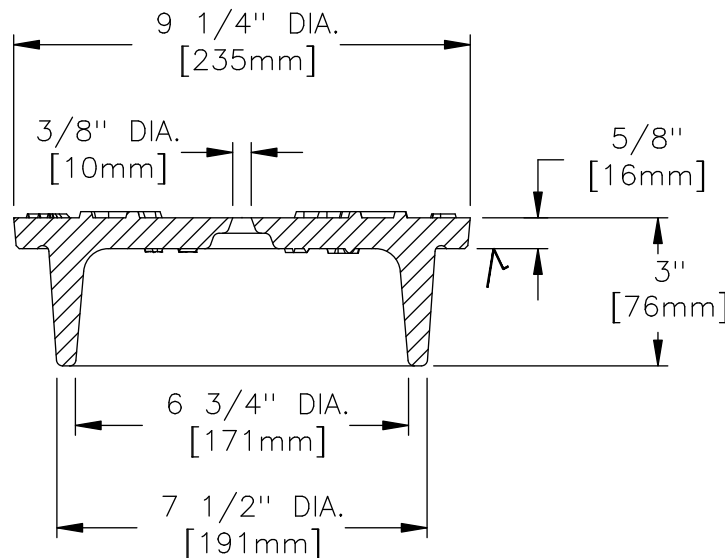
PLAN VIEW

(2) PLCS 1" RAISED LETTERING
1/8" WIDE X 1/8" HEIGHT
(REMOVABLE)



BOTTOM VIEW

JULIAN DATE TAG
& LETTER (G)



SECTION VIEW