

PRODUCT NUMBER

00372620

CATALOG NUMBER

3726CPT DI

**SPOKANE
B-25 MANHOLE
TYPE 2 UNIT**

LOAD RATING

HEAVY DUTY

COATING

DIPPED

ESTIMATED WEIGHT

COVER: 115 LBS 52kg

MATERIAL SPECIFICATION

COVER - DUCTILE IRON
ASTM A536

OPEN AREA

N/A

√ DESIGNATES MACHINED
SURFACE

DRAWN

DEW

DATE

05/18/06

LAST REVISED

DEW

DATE

09/27/06

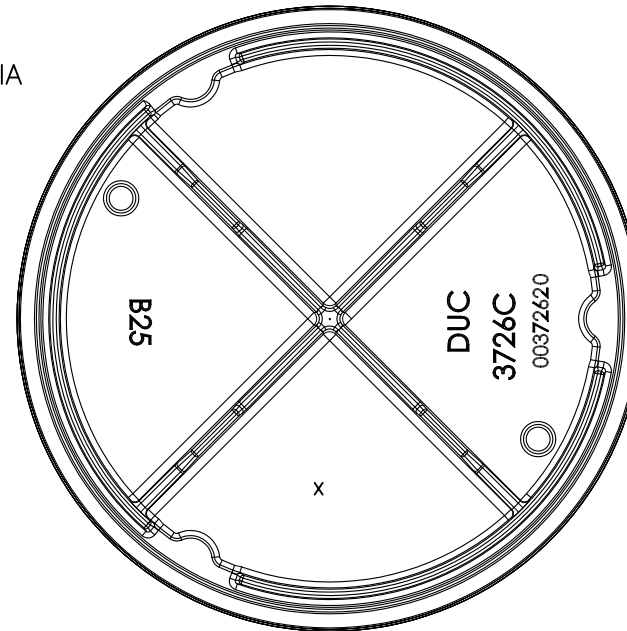
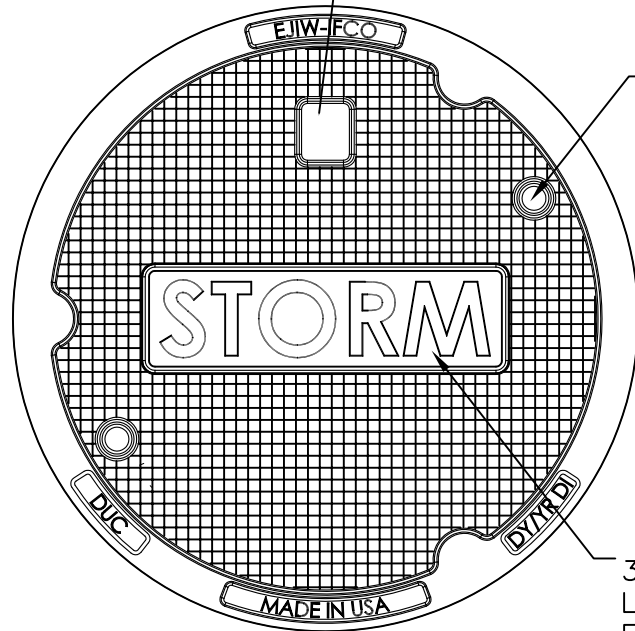
REFERENCE INFORMATION

00372622

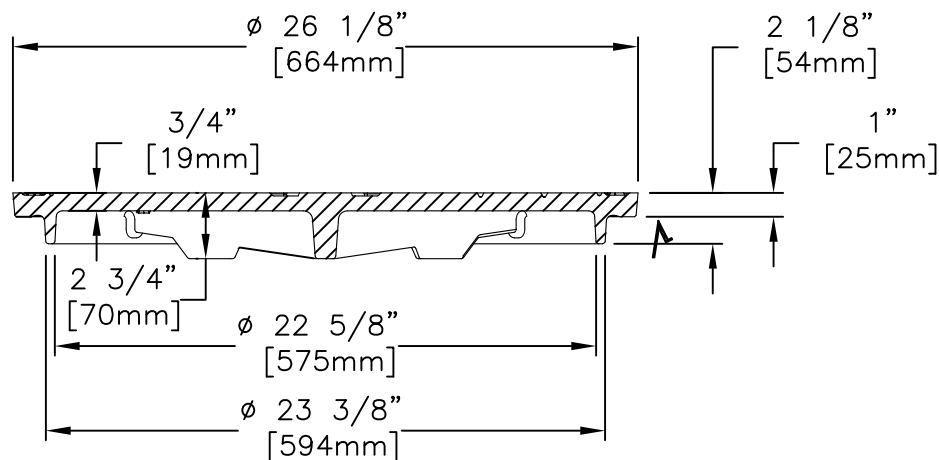
BOSS FOR BLIND
PICK NOTCH

(2) 1" [25mm] DIA
HOLES

3" [76mm] BLOCK
LETTERING RECESSED
FLUSH



COVER BACK



COVER SECTION