

PRODUCT NUMBER

00372654

CATALOG NUMBER

3726C DI

**SPOKANE
B-25 MANHOLE
TYPE 2 UNIT**

LOAD RATING

HEAVY DUTY

COATING

DIPPED

ESTIMATED WEIGHT

COVER: 115 LBS 52kg

MATERIAL SPECIFICATION
COVER - DUCTILE IRON
ASTM A536

OPEN AREA
N/A

✓ DESIGNATES MACHINED
SURFACE

DRAWN
DEW

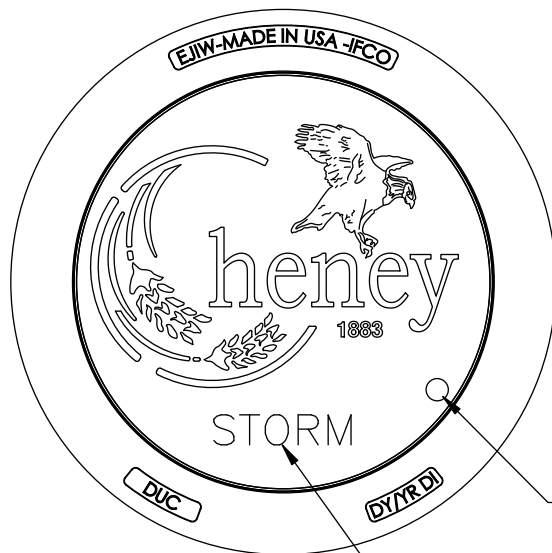
DATE
05/02/07

LAST REVISED
DEW

DATE
06/13/07

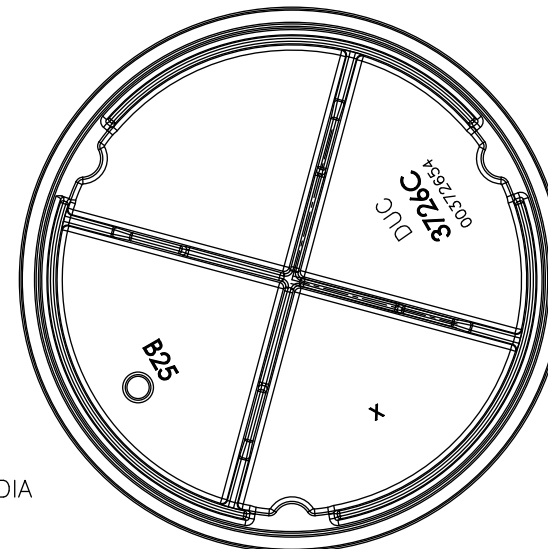
REFERENCE INFORMATION

00372654.1C
00372622.1D

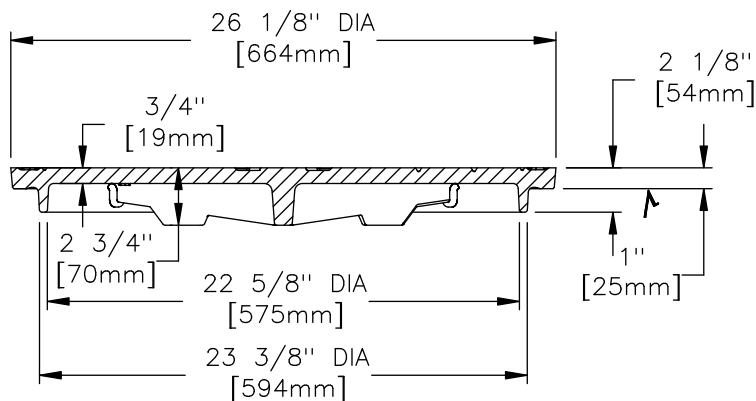


(1) 1" [25mm] DIA
PICKHOLE

1 1/4" (32mm) LETTERING



COVER BACK



COVER SECTION