

EAST JORDAN
IRON WORKS, INC.
P.O. BOX 439
EAST JORDAN, MI. 49727
1-800-874-4100
FAX 231-536-4458

DRAWN DEW	DATE 07/09/02
APPROVED	DATE

GRATE & FRAME ASSEMBLY

PRODUCT NO.
**00770000
DIPPED**

CATALOG NO.
**7700M1
7700Z REVERSIBLE**

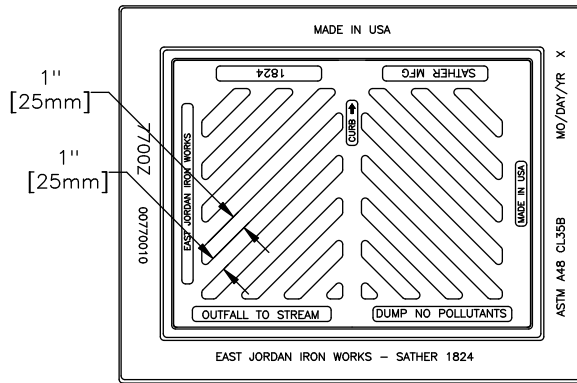
REF. PRODUCT NO.
00770010
00770030

EST. WT.
GRATE: 108 LBS 49kg
FRAME: 132 LBS 60kg
UNIT: 240 LBS 109kg

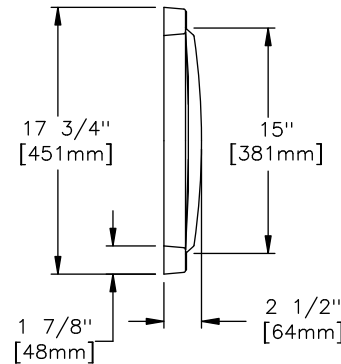
OPEN AREA
128 SQ. INCHES
826 SQ. CM

MAT'L SPEC.
GRATE - GRAY IRON
ASTM A48 CL35
FRAME - GRAY IRON
ASTM A48 CL35

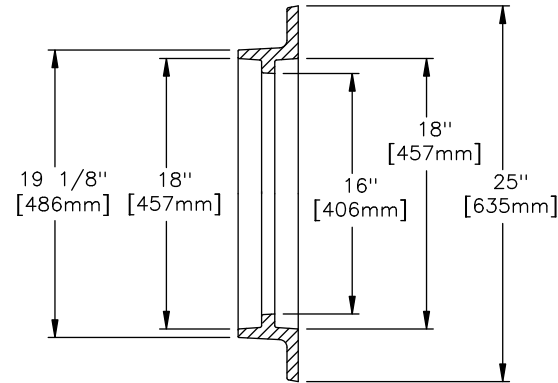
LOAD RATING
HEAVY DUTY



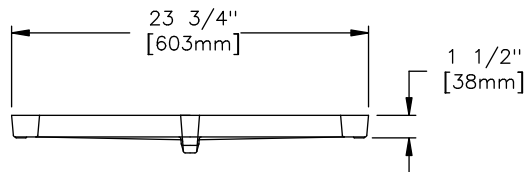
PLAN VIEW



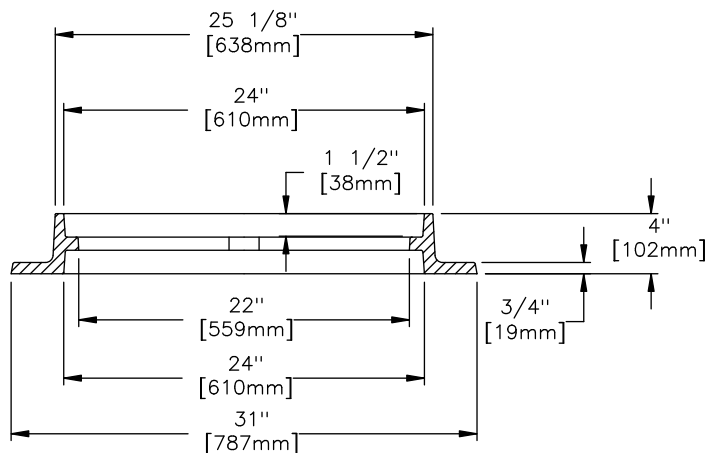
END VIEW



SECTION OF FRAME



SIDE VIEW OF GRATE



SECTION OF FRAME