

EAST JORDAN
IRON WORKS, INC.
P.O. BOX 439
EAST JORDAN, MI. 49727
1-800-874-4100
FAX 231-536-4458

DRAWN KH	DATE 04/16/04
APPROVED	DATE

**BI-DIRECTIONAL
VANE GRATE**

PRODUCT NO.
**00775050
(DIPPED)**

CATALOG NO.
7750M3 DI

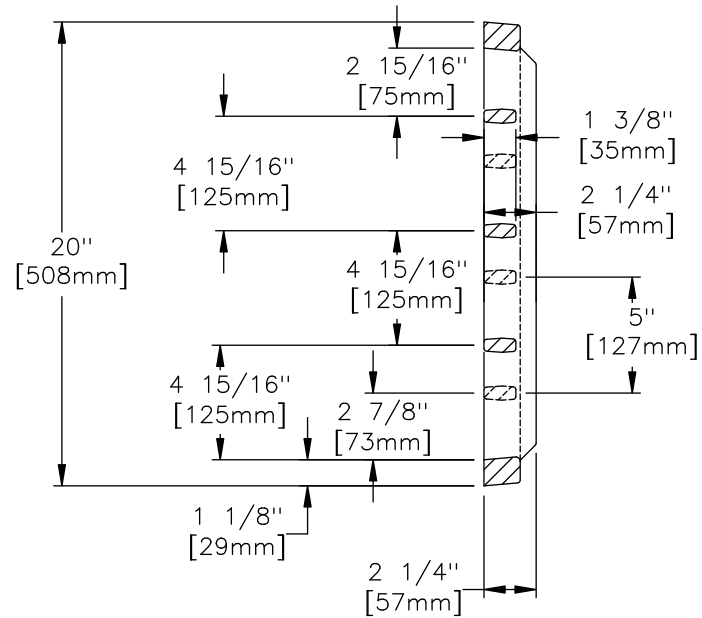
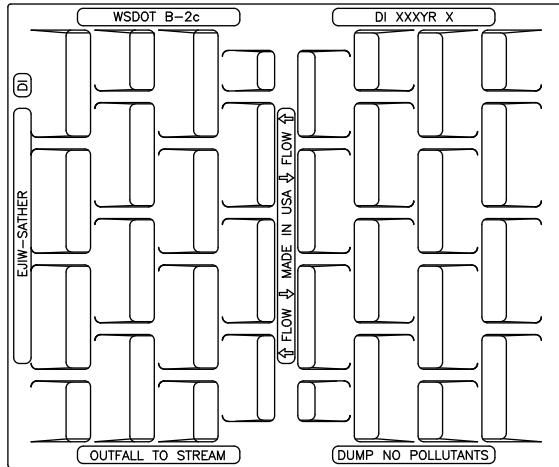
REF. PRODUCT DRAWING
00775055

EST. WT.
GRATE: 110 LBS 50kg

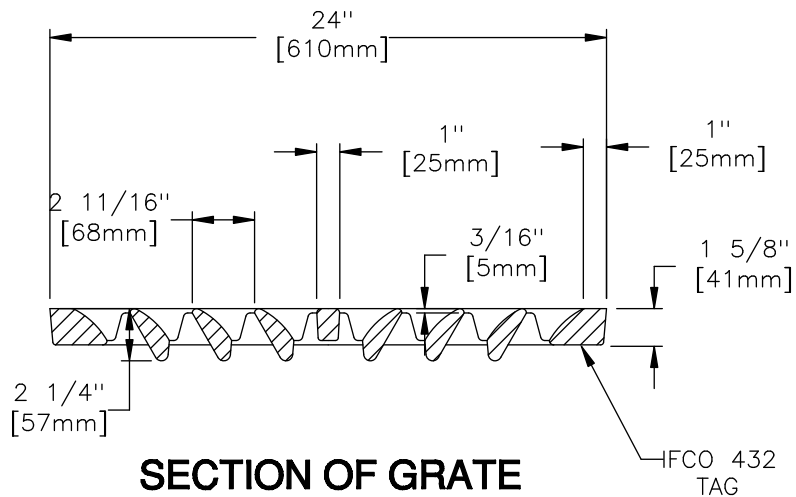
OPEN AREA
216 SQ. IN. (1394 SQ. CM.)

MAT'L SPEC.
GRATE - DUCTILE IRON
ASTM A536

LOAD RATING
HEAVY DUTY



SECTION OF GRATE



SECTION OF GRATE

NOTE: USE JULIAN DATE TAG