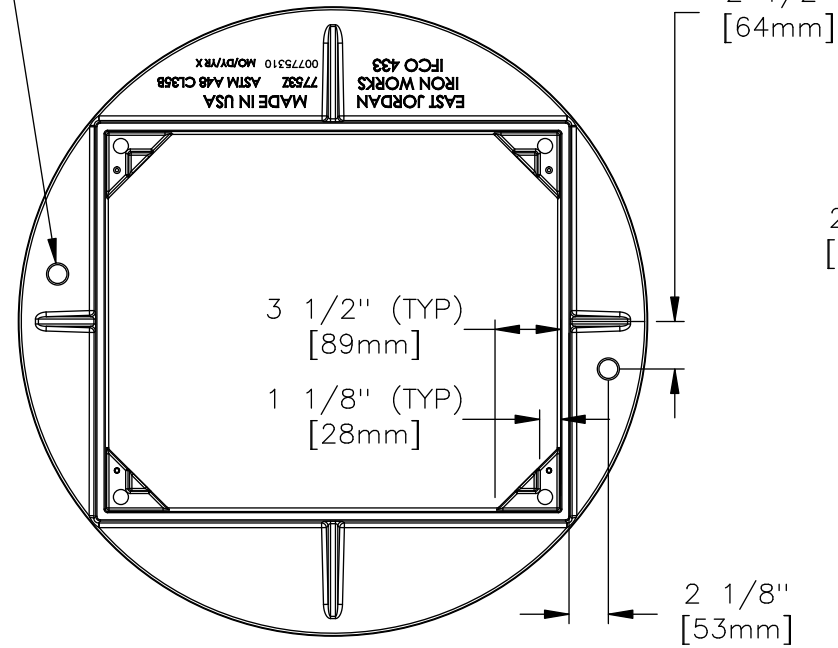
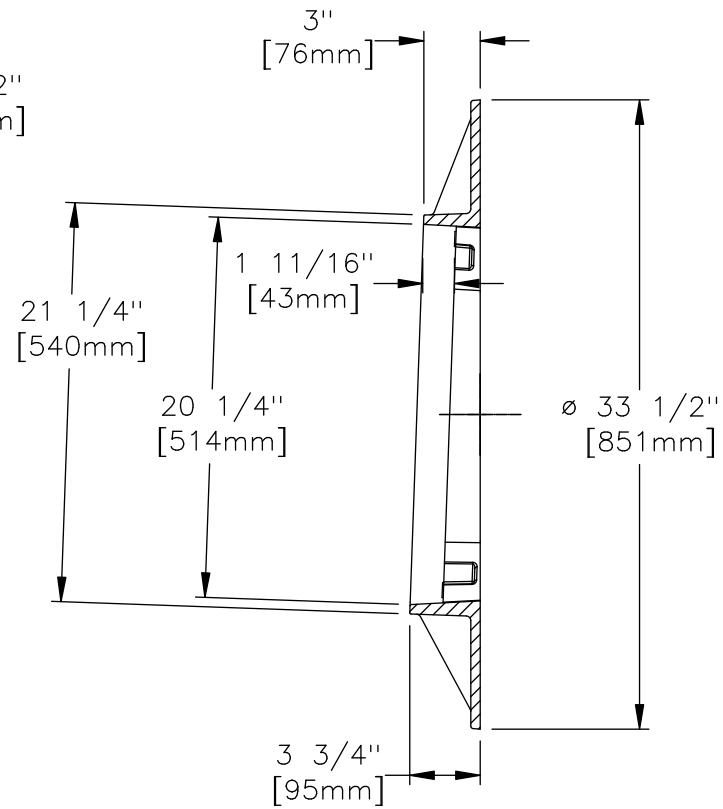


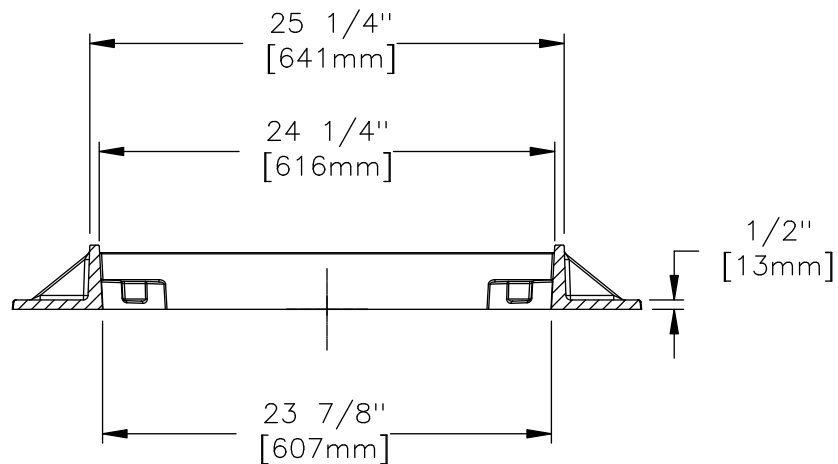
(2) 1" [25mm] HANDLING HOLES



PLAN VIEW



SECTION VIEW



SECTION VIEW

EAST JORDAN
IRON WORKS, INC.
P.O. BOX 439
EAST JORDAN, MI. 49727
1-800-874-4100
FAX 231-536-4458

DRAWN TCL	DATE 06/13/05
APPROVED	DATE

SLOPED FRAME

PRODUCT NO.
00775310
DIPPED

CATALOG NO.
7753Z

REF. PRODUCT DRAWING
00775311 SLD.

EST. WT.
FRAME: 104 LBS 47kg

OPEN AREA
N/A

MAT'L SPEC.
FRAME - GRAY IRON
ASTM A48 CL35B

LOAD RATING
HEAVY DUTY