

**EJIW EAST JORDAN**  
IRON WORKS EST. 1883

800-626-4653

www.ejiw.com

MADE IN USA

PRODUCT NUMBER

**00775316**

CATALOG NUMBER

**7753Z1**

**FRAME**

LOAD RATING

**HEAVY DUTY**

COATING

**DIPPED**

ESTIMATED WEIGHT

FRAME: 97 LBS 44kg

MATERIAL SPECIFICATION

FRAME - GRAY IRON  
ASTM A48 CL35B

OPEN AREA  
N/A

✓ DESIGNATES MACHINED  
SURFACE

DRAWN  
SBB

DATE  
05/22/07

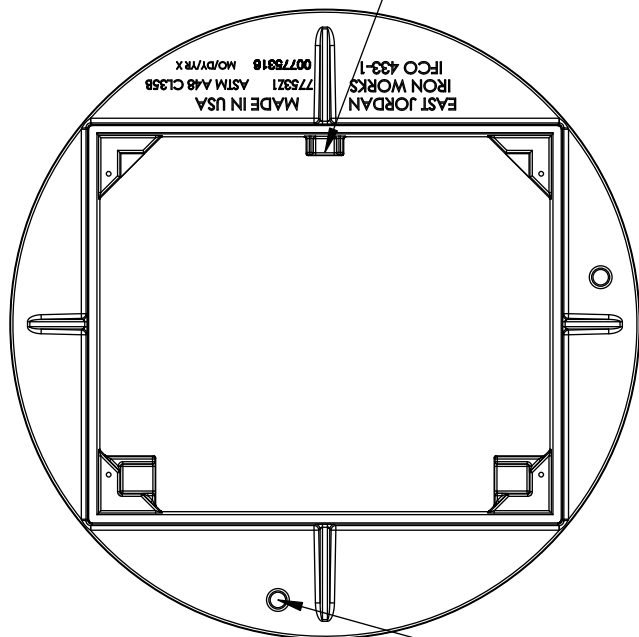
LAST REVISED

DATE

REFERENCE INFORMATION

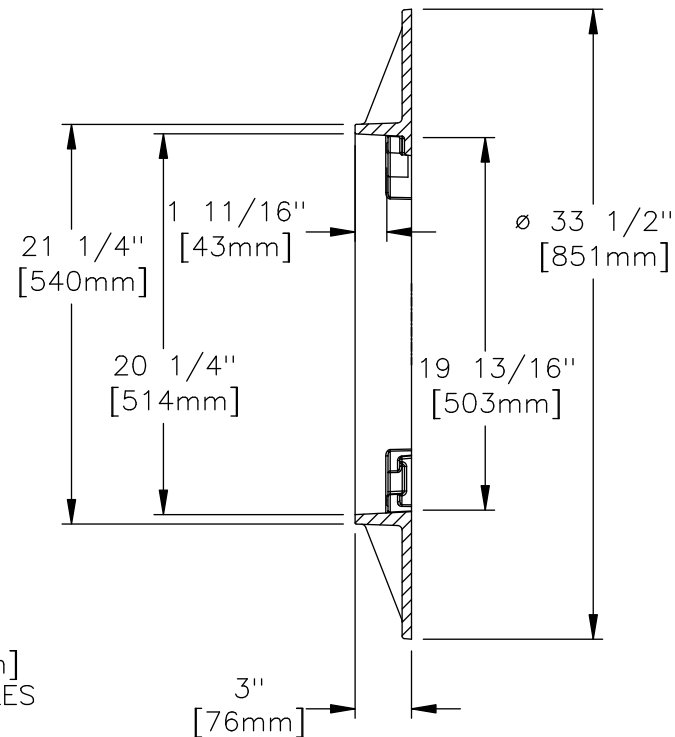
00775317  
SLD

3 GRATE GUARD SUPPORTS

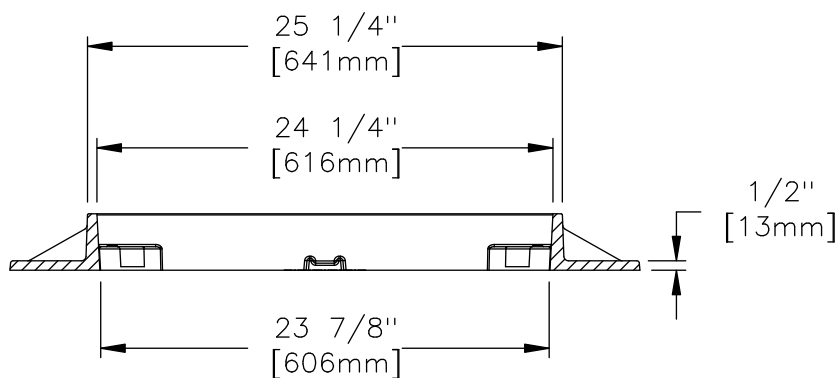


**PLAN VIEW**

(2) 1" [25mm]  
HANDLING HOLES



**SECTION VIEW**



**SECTION VIEW**

CONFIDENTIAL: This drawing is the property of East Jordan Iron Works, Inc. and embodies confidential information, trade secret information, and/or know how that is the property of East Jordan Iron Works, Inc. © Copyright 2007 East Jordan Iron Works, Inc.