

EAST JORDAN
IRON WORKS, INC.
P.O. BOX 439
EAST JORDAN, MI. 49727
1-800-874-4100
FAX 231-536-4458

DRAWN
SBB

DATE
05/25/06

APPROVED

DATE

7756Z FRAME

PRODUCT NO.

00775610

CATALOG NO.

7756Z

REF. PRODUCT DRAWING
00775610
MODEL

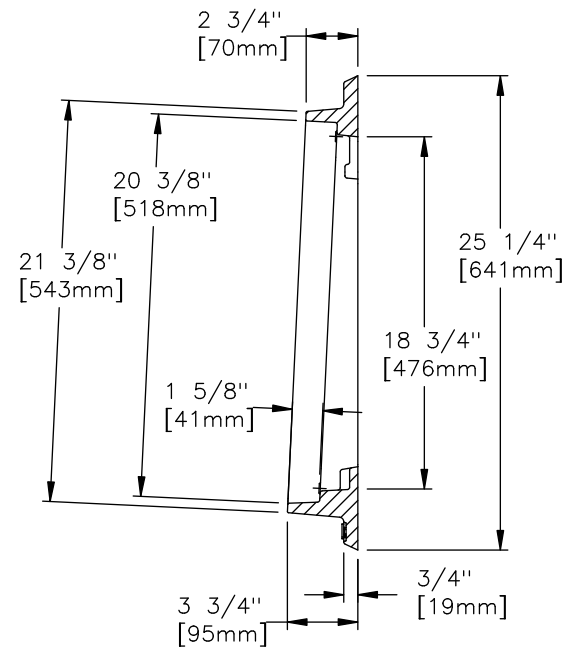
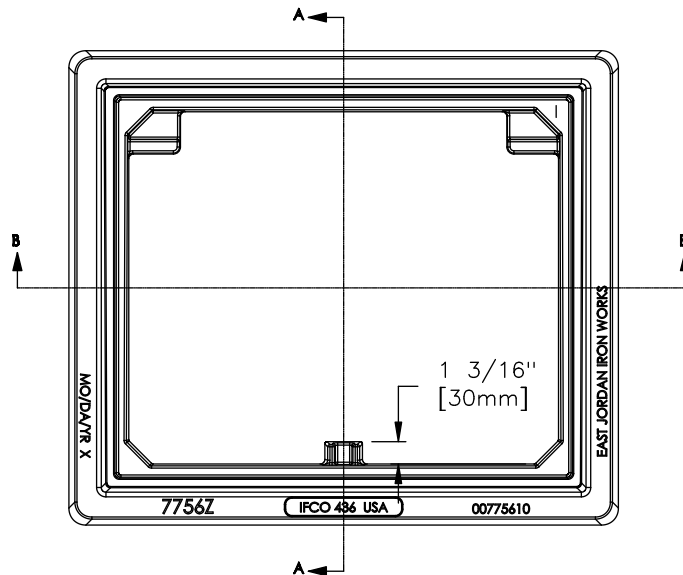
EST. WT.

FRAME: 110 LBS 50kg

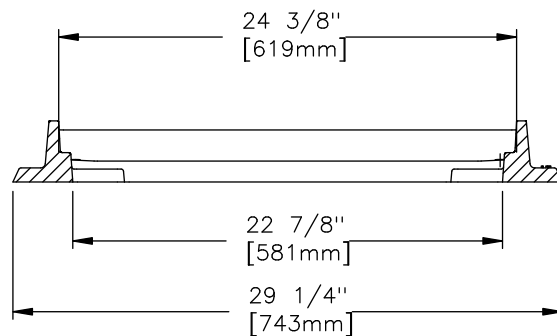
OPEN AREA
N/A

MAT'L SPEC.
FRAME - GRAY IRON
ASTM A48 CL35B

LOAD RATING
HEAVY DUTY



SECTION A-A



SECTION B-B