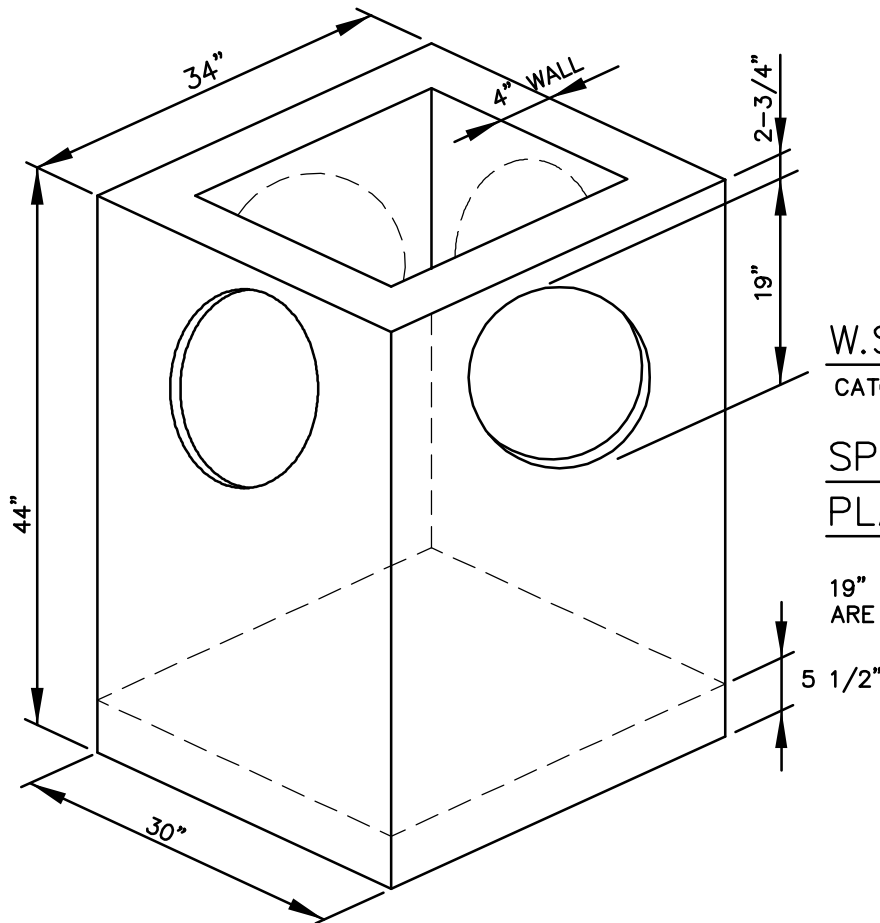


W.S.D.O.T. PLAN # B-1

- 12" HIGH RISER SECTIONS # 2006
- 6" HIGH RISER SECTIONS # 2008
- 4" HIGH RISER SECTIONS # 2007
- 2" HIGH RISER SECTIONS # 2020



W.S.D.O.T. PLAN # B-1

CATCH BASIN TYPE 1

SPOKANE COUNTY
PLAN B-4

19" HOLES ON ALL 4 SIDES
ARE RECESSED 2" INTO WALL

NOT TO SCALE