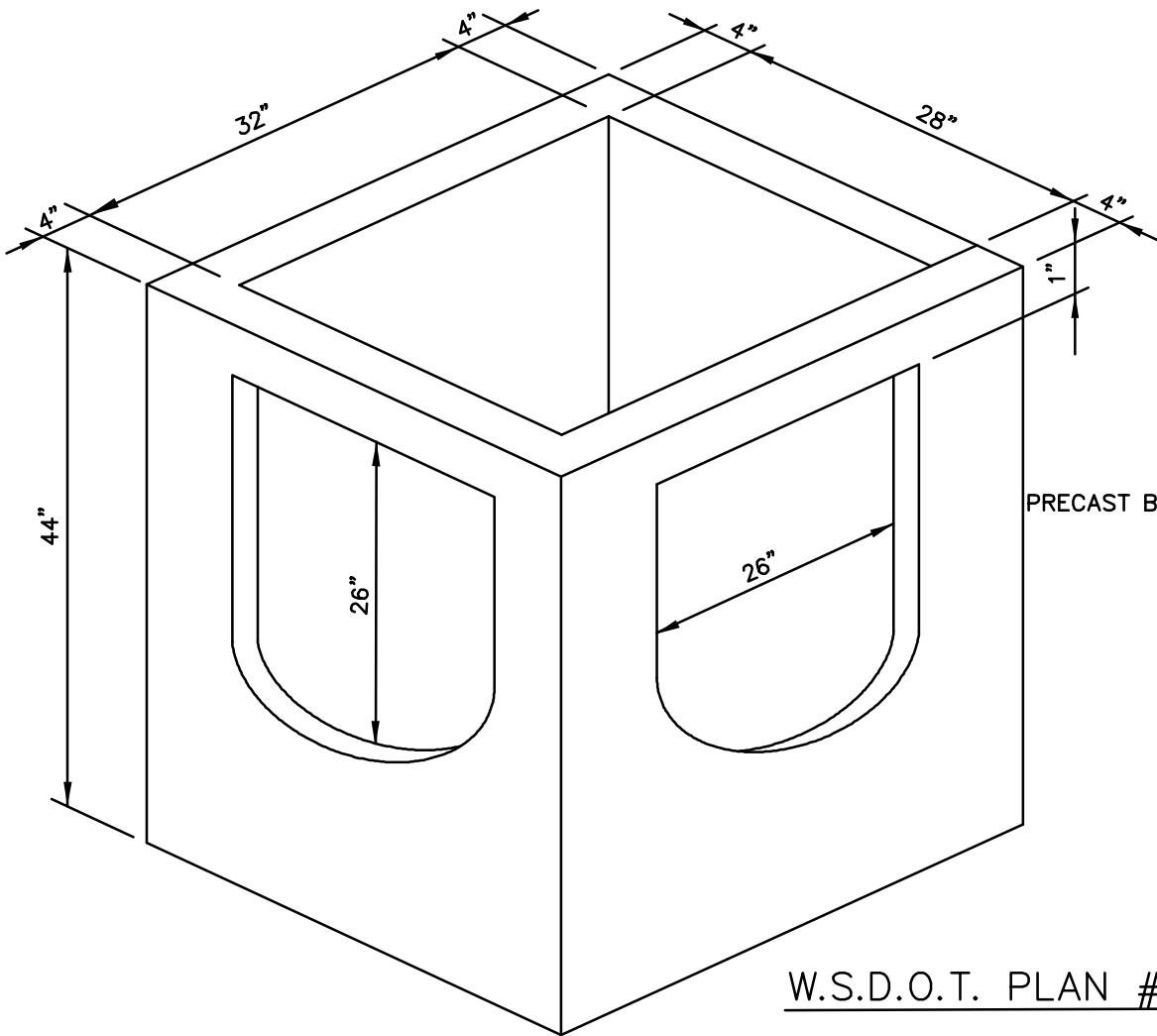


PRODUCT # 2005

REDUCING SECTION



PRECAST BASE SECTION

W.S.D.O.T. PLAN # B-1A

PRODUCT # 2004

NOT TO SCALE