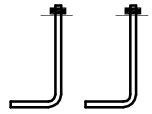
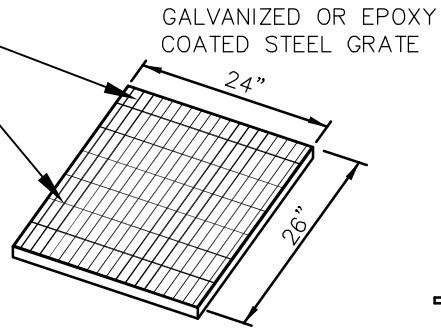
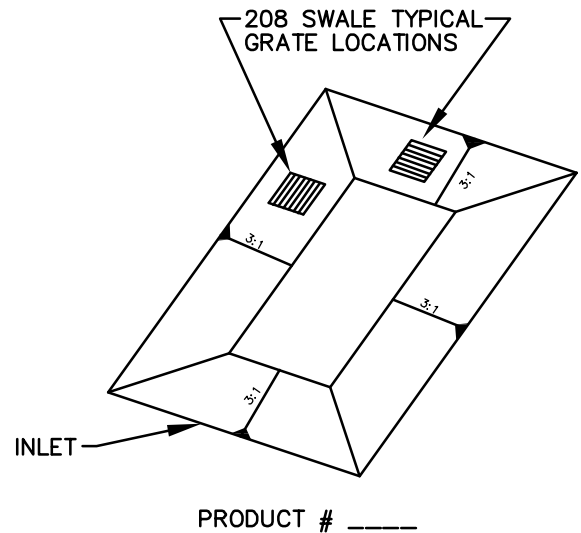
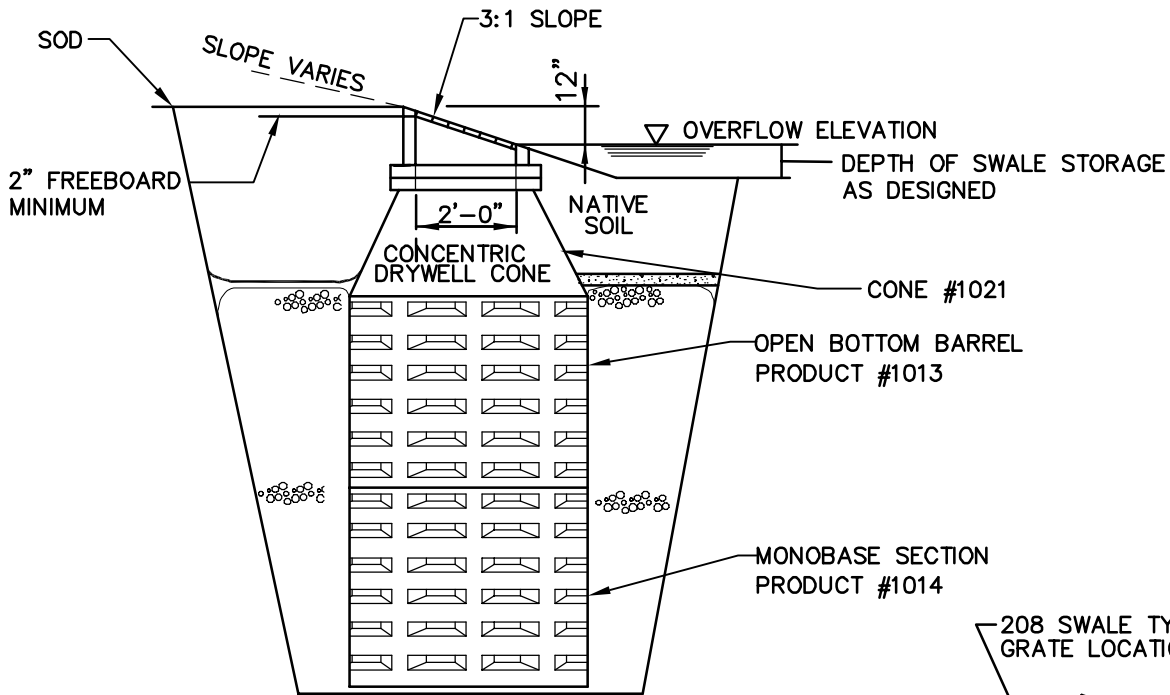


FLUSH MOUNT 208 INLET
PRODUCT #1040

3/16" BAR
1" OPENING
1/4" x 1/4" BAR
AT 4" O.C.



GRATE CAN BE SECURED BY
2 J-BOLTS CLAMPED TO EDGES



NOT TO SCALE