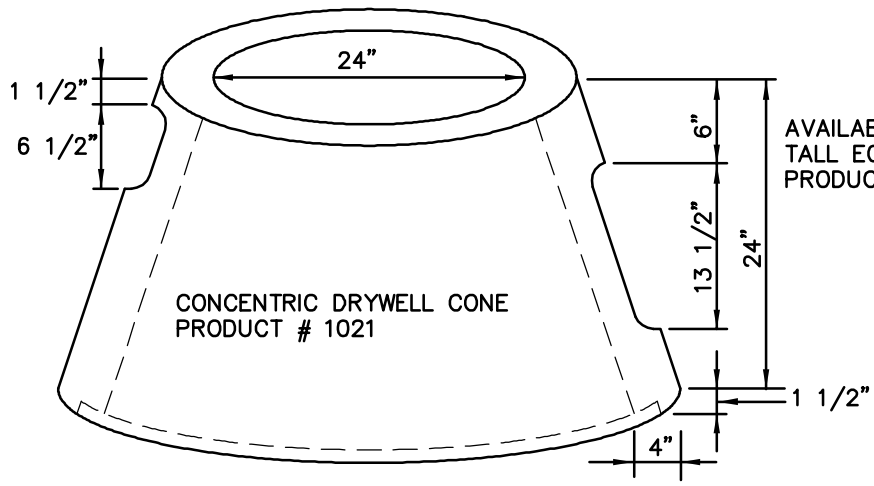


RISER RINGS AVAILABLE  
 PRODUCT #  
 6" TALL #6403  
 4" TALL #6402  
 3" TALL #6401  
 2" TALL #6400

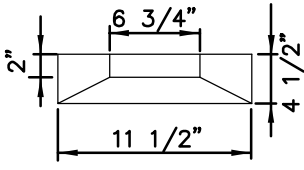
SEE PRODUCT # 4107  
 FOR REINFORCED  
 STREET LID



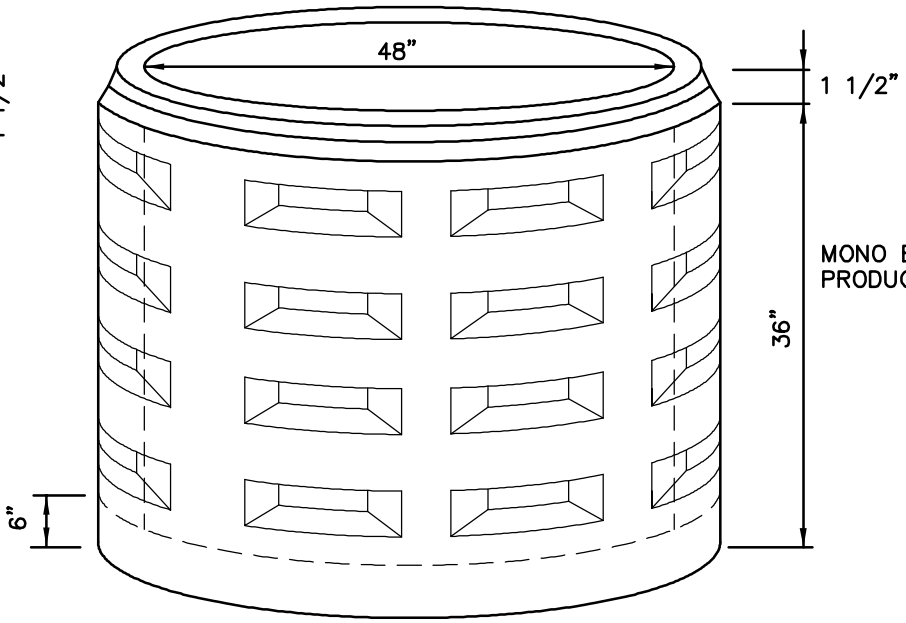
REVERSE TONGUE  
 AND GROOVE

CONCENTRIC DRYWELL CONE  
 PRODUCT # 1021

AVAILABLE IN 30"  
 TALL ECCENTRIC CONE  
 PRODUCT # 1038



DRAIN PORT DETAIL



MONO BASE SECTION  
 PRODUCT # 1027

CITY OF SPOKANE  
 STANDARD PLAN NO. B-102A

NOT TO SCALE

**WHITE BLOCK CO., INC.**  
 CONCRETE · PUMICE · BUILDING PRODUCTS  
 QUALITY MANUFACTURER SINCE 1947  
 WWW.WHITEBLOCKCOMPANY.COM  
 6219 East Trent Spokane, Washington 99212-1280 509/534-0851 FAX 509/534-0854

**TYPE "O" SEEPAGE CATCH BASIN**

PRODUCT # 1029

SHEET  
**D-6**

REVISED  
 02/25/08