

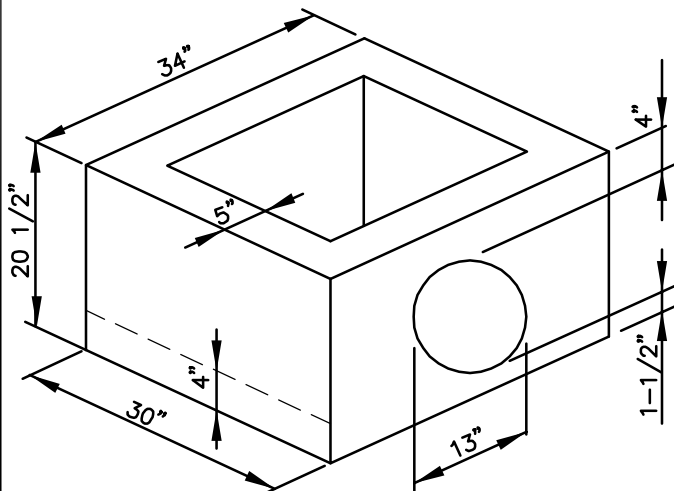
PRODUCT # 2011

2", 4", 6" OR 12" HIGH RISER SECTIONS

- 12" HIGH RISER SECTIONS # 2006
- 6" HIGH RISER SECTIONS # 2008
- 4" HIGH RISER SECTIONS # 2007
- 2" HIGH RISER SECTIONS # 2020

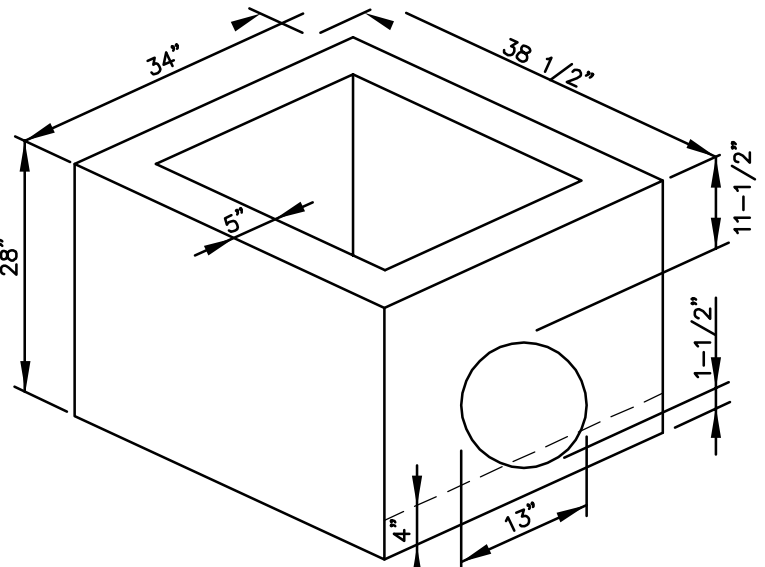
TRANSITION COLLAR

FROM: SPOKANE COUNTY CONCRETE
 INLET BOX TYPE 1
 (IN LOWER LEFT CORNER)
 TO: 560 CAST IRON CURB AND
 GUTTER INLET



PRODUCT # 2003

SPOKANE COUNTY CONCRETE
INLET TYPE 1
STANDARD PLAN B-5
CITY OF SPOKANE GRATE
INLET TYPE 3
STANDARD PLAN B-119



PRODUCT # 2009

SPOKANE COUNTY CONCRETE
INLET TYPE 2
STANDARD PLAN B-6

NOT TO SCALE