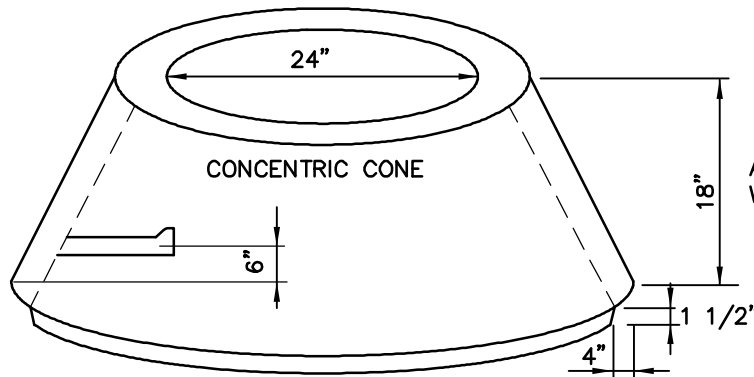


REINFORCED STREET LID
 - OFFSET HOLE #4210
 - CENTER HOLE #4211

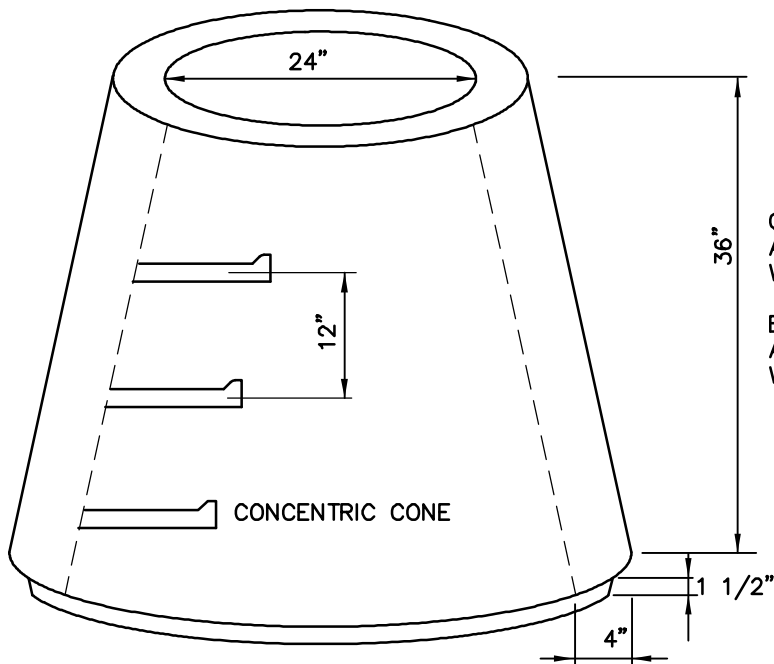
A.S.T.M. - 478 TONGUE
 AND GROOVE - 4" WALL

ALL WEATHER MASTIC
 TYPE JOINT



AVAILABLE WITH OR
 WITHOUT STEPS - #4201

A.S.T.M. - 478 TONGUE
 AND GROOVE - 4" WALL



CONCENTRIC CONE
 AVAILABLE WITH OR
 WITHOUT STEPS # 4207

ECCENTRIC CONE
 AVAILABLE WITH OR
 WITHOUT STEPS # 4206

NOT TO SCALE