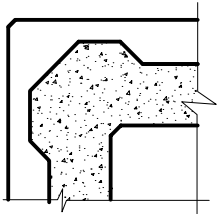
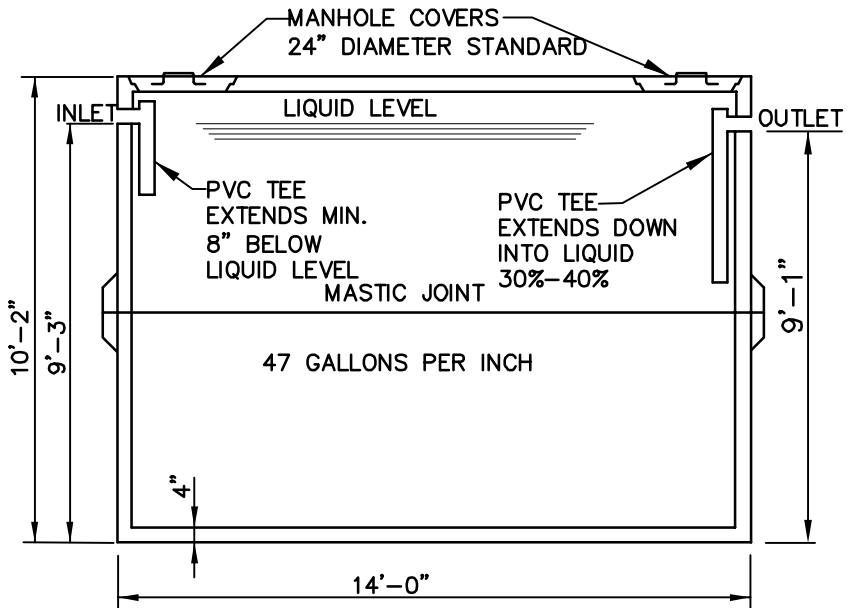
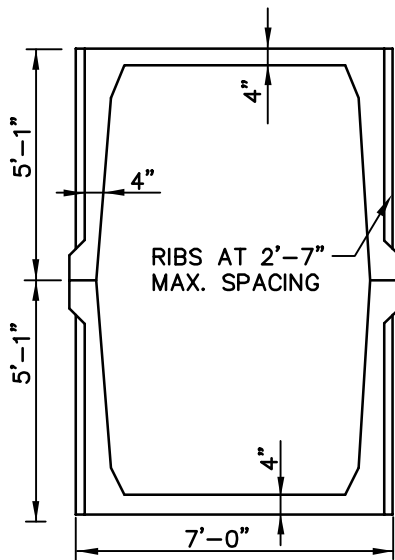
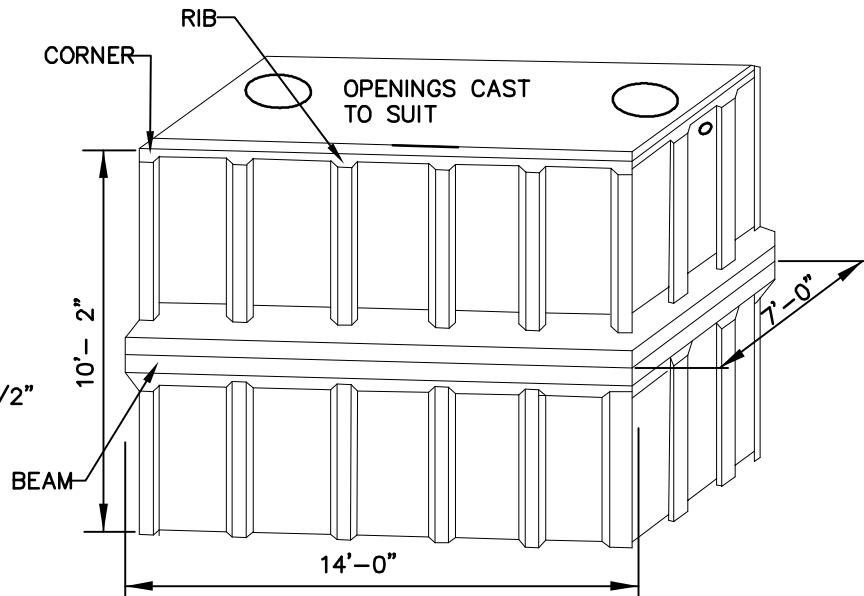
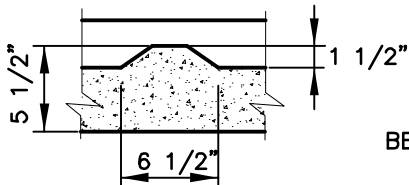


**CORNER PLAN**



**RIB PLAN**



H-HEIGHT	122"
L-LENGTH	168"
W-WIDTH	84"
I-INLET	111"
O-OUTLET	109"

**INSTALLATION INSTRUCTIONS**

1. EXCAVATE TANK HOLE WITH VERTICAL WALLS TO 1 FOOT LARGER THAN TANK ON ALL SIDES.
2. IF BOTTOM OF HOLE IS STONY, INSTALL 3" OF COMPACT SAND & LEVEL OUT WITH SCREED.
3. INSTALL TANK IN CENTER OF HOLE, KEEPING 1 FOOT VOID SPACE ON ALL SIDES.
4. AS TANK IS FILLING WITH WATER, FILL IN VOID SPACE WITH COMPACT GRANULAR (SANDY) SOIL FREE OF LARGE CLUMPS OF CLAY. TANK MUST BE BACKFILLED BEFORE USE.
5. INSTALL REST OF SYSTEM, & AFFIX RISERS TO TANK /ADAPTORS WITH WATERPROOF ADHESIVE.
6. PERFORM WATERTIGHTNESS TEST IN FIELD AS REQUIRED BY LOCAL JURISDICTION.
7. UPON APPROVAL, CAREFULLY BACKFILL WITH NATIVE SOILS OVER TOP OF TANK.
8. FINAL GRADE THE SURFACE TO AVOID CHANNELLING SURFACE WATER TO TANK.
9. OUR DRIVER CANNOT ENTER ANY EXCAVATION.
10. ALL MEASUREMENTS ARE APPROXIMATE.
11. ALL TANK SEALS AND GASKETS SHALL MEET A.S.T.M. C1644 AS PER MANUFACTURER.

PRODUCT #3301 NOT TO SCALE