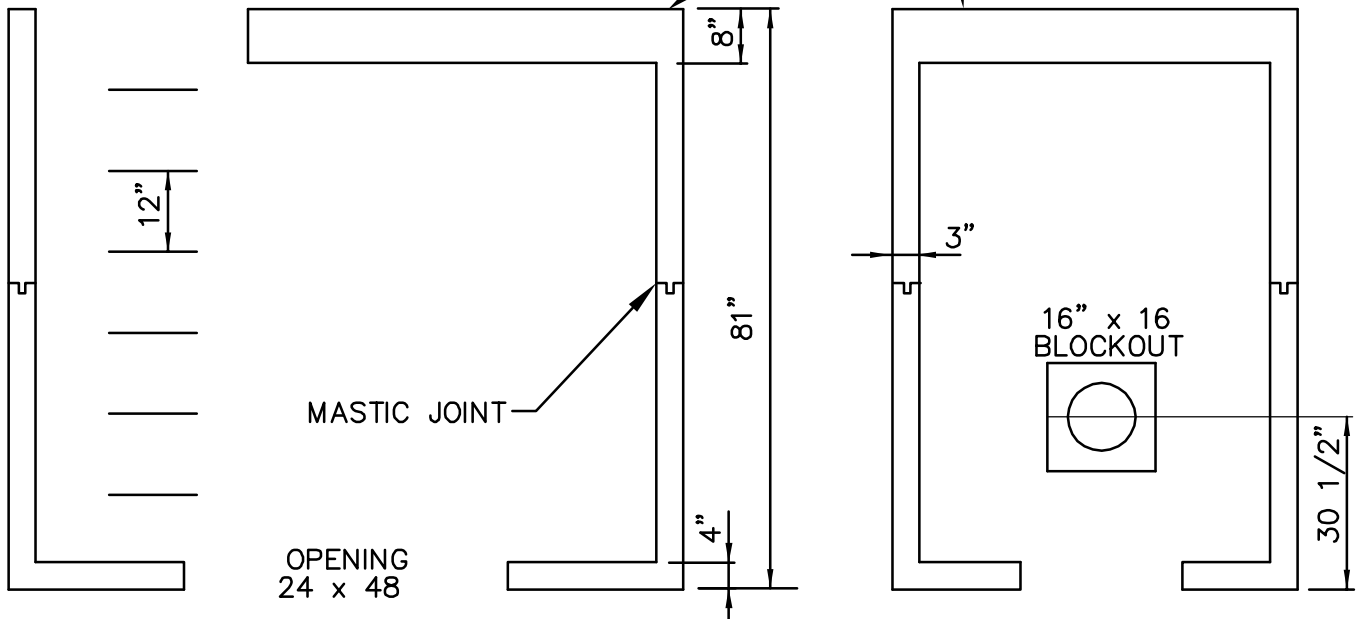


TANK TOP REINFORCED WITH NO. 4 REBAR AT 6" O.C. EA. WA.



PRODUCT # 5400
 ALSO AVAILABLE 80" # 5404
 INSIDE HEIGHT
 WITH TRAFFIC TOP

NOT TO SCALE