

EAST JORDAN
 IRON WORKS, INC.
 P.O. BOX 439
 EAST JORDAN, MI. 49727
 1-800-874-4100
 FAX 231-536-4458

DRAWN TCL	DATE 03/03/05
MODIFIED	DATE

REVERSIBLE
 MANHOLE FRAME

PRODUCT NUMBER
00184910

CATALOG NUMBER
1849Z

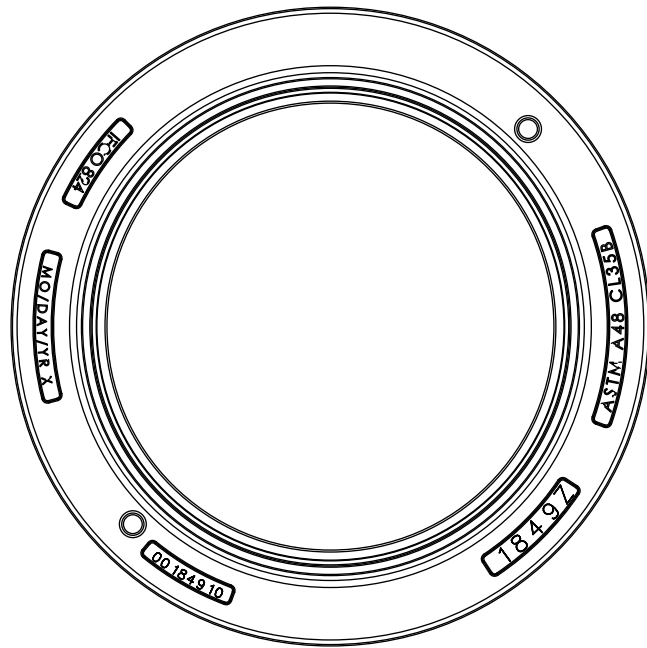
REF. PRODUCT DRAWING
 00184910 SLD.

ESTIMATED WEIGHT
 FRAME: 145 LBS 65kg

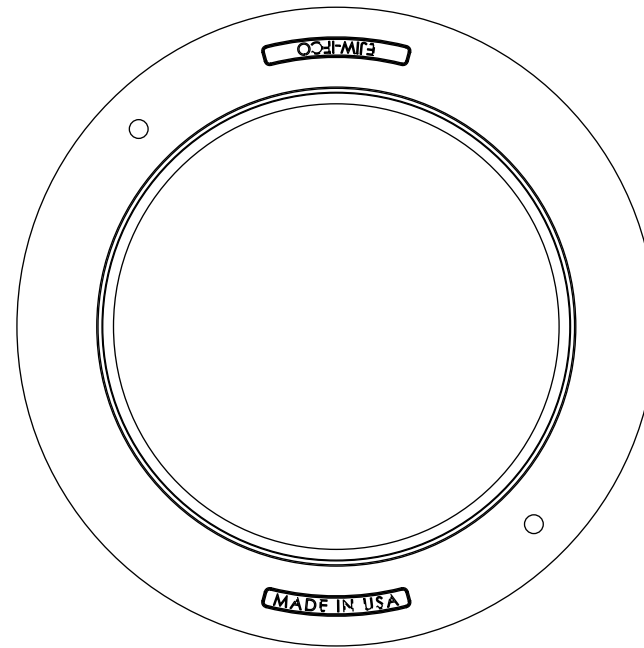
OPEN AREA
 N/A

MAT'L SPEC.
 FRAME - GRAY IRON
 ASTM A48 CL35B

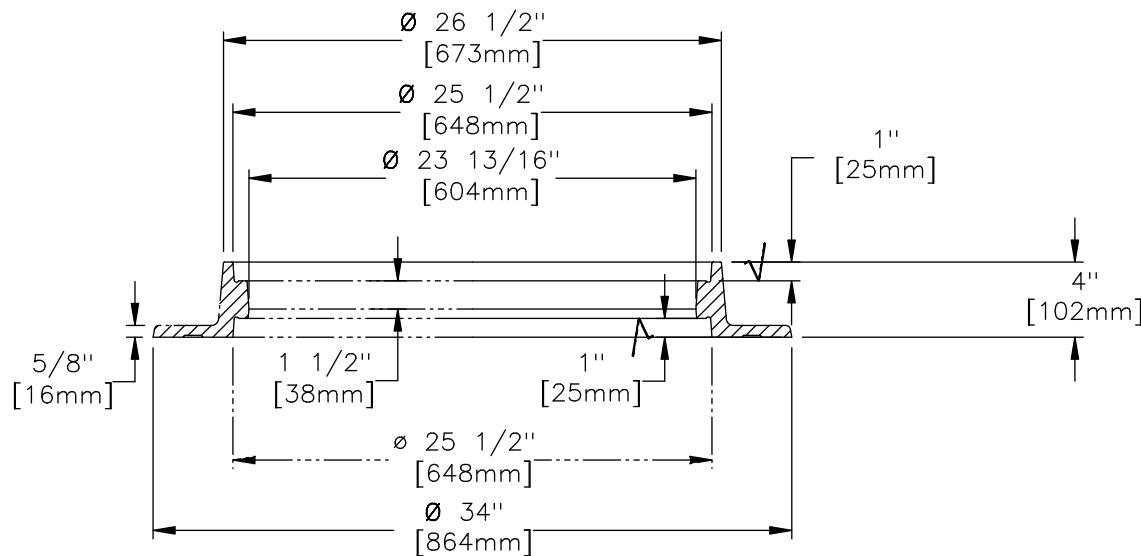
LOAD RATING
 HEAVY DUTY



PLAN VIEW



BOTTOM VIEW



SECTION VIEW

√ MACHINED SURFACE