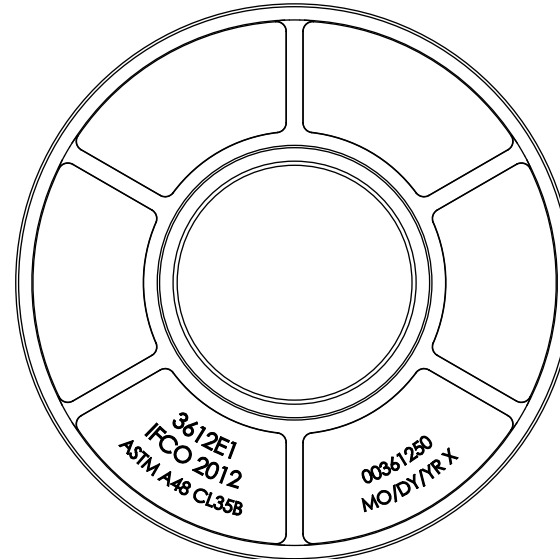
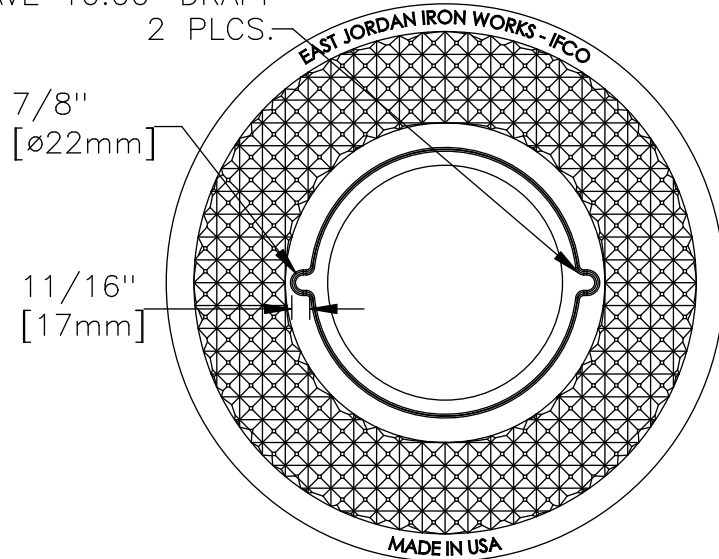
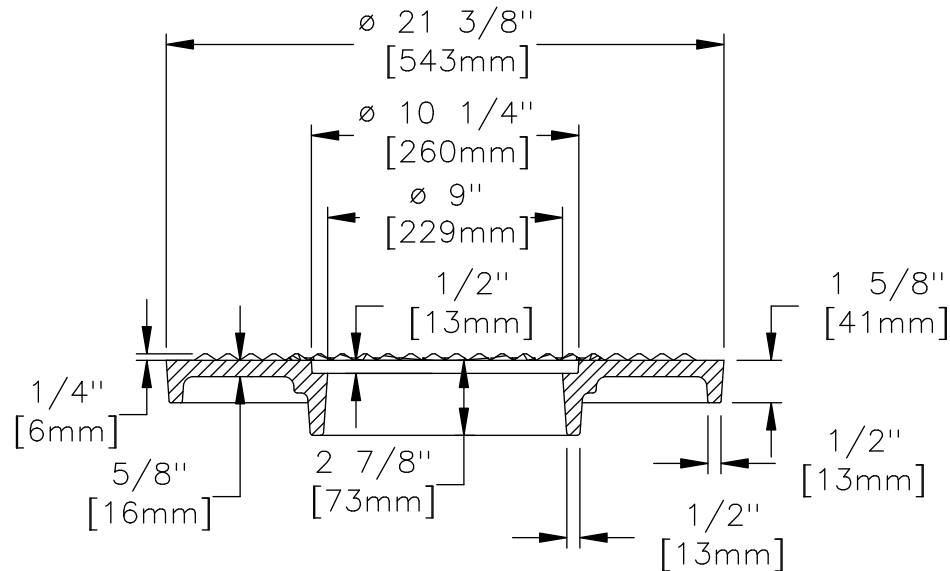


OPEN PICKHOLES
HAVE 10.00° DRAFT
2 PLCS.



BOTTOM VIEW



SECTION

NOTE: NO MACHINING NEEDED

EAST JORDAN
IRON WORKS, INC.
P.O. BOX 439
EAST JORDAN, MI. 49727
1-800-874-4100
FAX 231-536-4458

DRAWN TCL	DATE 09/28/06
APPROVED	DATE

**OUTER WATER
METER COVER**

PRODUCT NO.
00361250

CATALOG NO.
3612E1

REF. PRODUCT DRAWING
00631250 SLD.

EST. WT.
COVER: 78 LBS 35kg

OPEN AREA
N/A

MAT'L SPEC.
COVER - GRAY IRON
ASTM A48 CL35B

LOAD RATING
NON-TRAFFIC