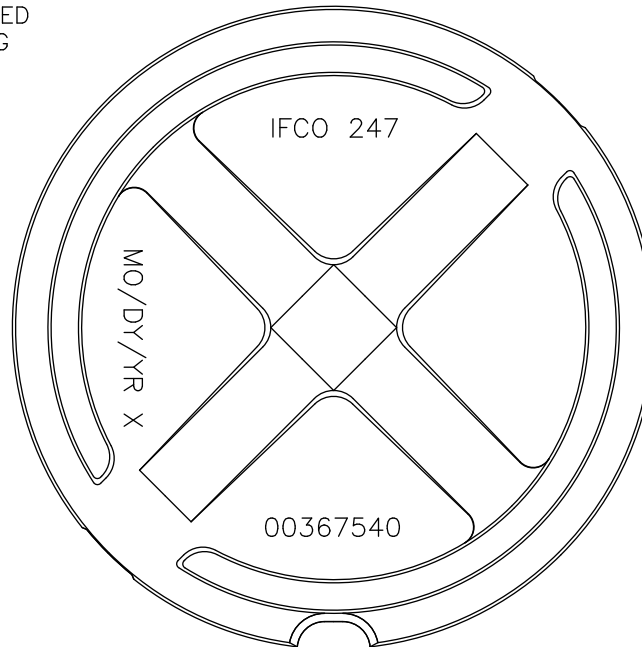
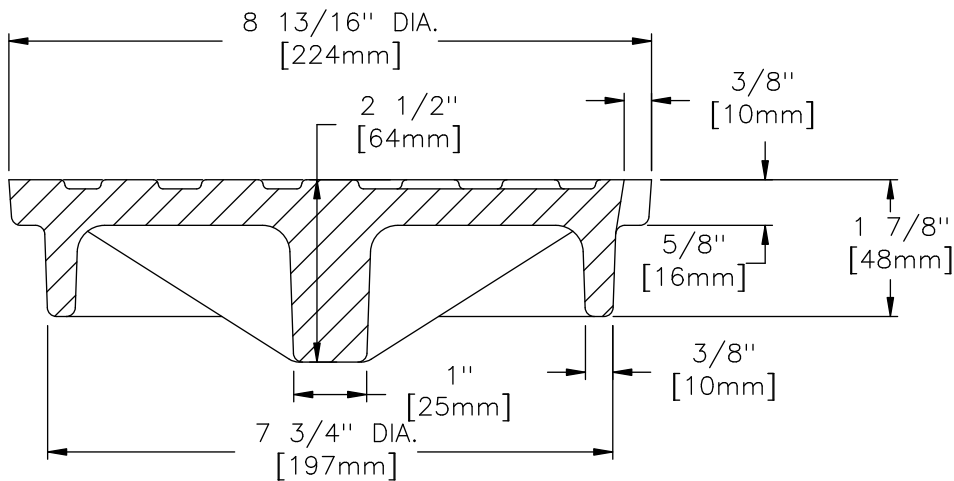


1" [25mm] (1) OPEN PICKHOLE



BOTTOM VIEW OF COVER



SECTION OF COVER

EJIW EAST JORDAN
IRON WORKS EST. 1883

800-626-4653
www.ejiw.com
MADE IN USA

PRODUCT NUMBER

00367540

CATALOG NUMBER

3675A2

3675A2 COVER

LOAD RATING

HEAVY DUTY

COATING

DIPPED

ESTIMATED WEIGHT

COVER: 14 LBS 6kg

MATERIAL SPECIFICATION

COVER - GRAY IRON
ASTM A48 CL35B

OPEN AREA

✓ DESIGNATES MACHINED SURFACE

DRAWN
DEW

DATE
06/22/04

LAST REVISED
DAL

DATE
08/01/07

REFERENCE INFORMATION

367542