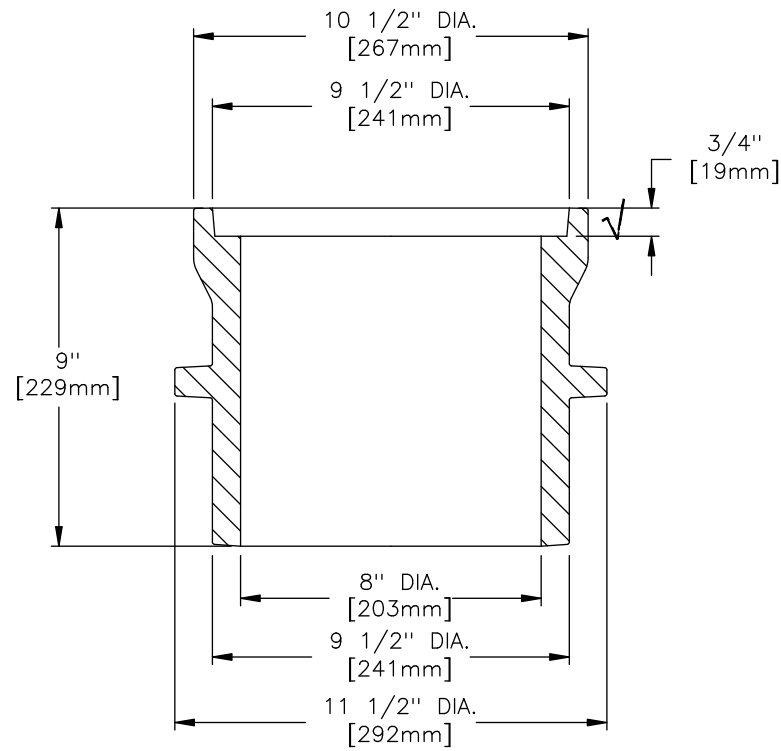


TOP VIEW



SECTION VIEW

NOTE: USE JULIAN DATE TAG

✓ MACHINED SURFACE

EAST JORDAN
IRON WORKS, INC.
P.O. BOX 439
EAST JORDAN, MI. 49727
1-800-874-4100
FAX 231-536-4458

DRAWN TCL	DATE 10/07/02
APPROVED	DATE

**3695Z KCPW
FRAME**

PRODUCT NO.
00369510
DIPPED

CATALOG NO.
3695Z

REF. PRODUCT DRAWING
369510

EST. WT.
FRAME: 58 LBS 25kg

OPEN AREA
N/A

MAT'L SPEC.
FRAME - GRAY IRON
ASTM A48 CL35

LOAD RATING
HEAVY DUTY