

PRODUCT NUMBER

**00372604**

CATALOG NUMBER

**3725Z1PT  
3726CPT DI**

**SPOKANE  
B-25 MANHOLE  
TYPE 2 UNIT**

LOAD RATING

**HEAVY DUTY**

COATING

**DIPPED**

ESTIMATED WEIGHT

COVER: 115 LBS  
FRAME: 140 LBS  
UNIT: 255 LBS

MATERIAL SPECIFICATION

COVER - DUCTILE IRON  
ASTM A536  
FRAME - GRAY IRON  
ASTM A48 CL35B

OPEN AREA  
N/A

✓ DESIGNATES MACHINED SURFACE

DRAWN  
DEW

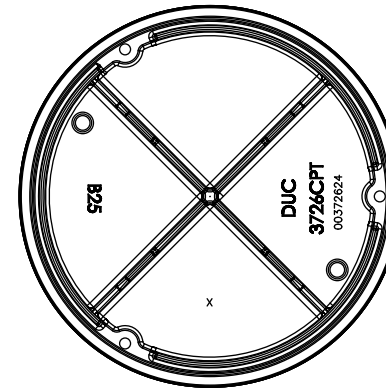
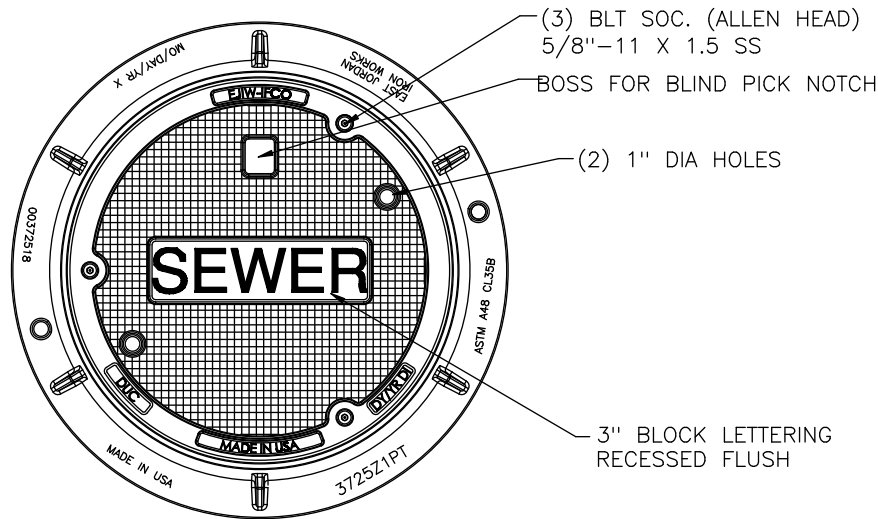
DATE  
05/18/06

LAST REVISED  
KH

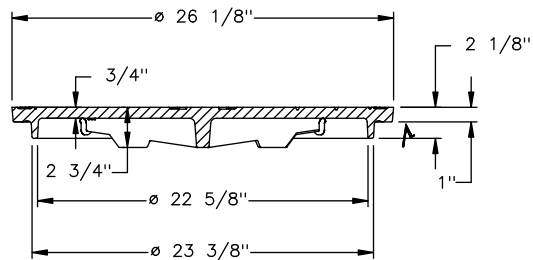
DATE  
10/08/07

REFERENCE INFORMATION

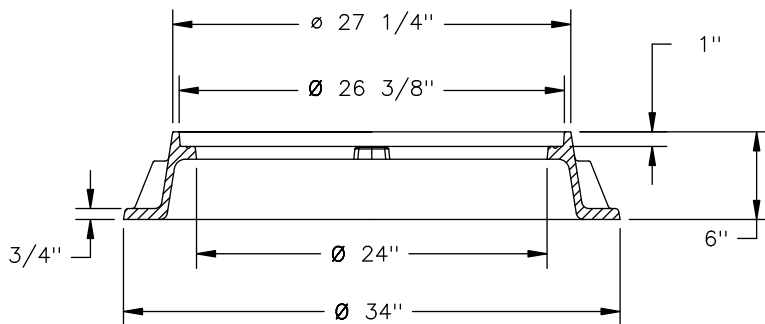
**00372518  
00372624**



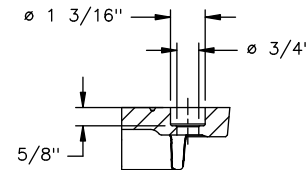
**COVER BACK**



**COVER SECTION**



**FRAME SECTION**



**BOLTHOLE DETAIL**