

PRODUCT NUMBER
00775010

CATALOG NUMBER
7750Z

REVERSIBLE
CATCH BASIN FRAME

LOAD RATING
HEAVY DUTY

COATING
DIPPED

ESTIMATED WEIGHT
FRAME: 153 LBS

MATERIAL SPECIFICATION
FRAME - GRAY IRON
ASTM A48 CL35B

OPEN AREA
N/A

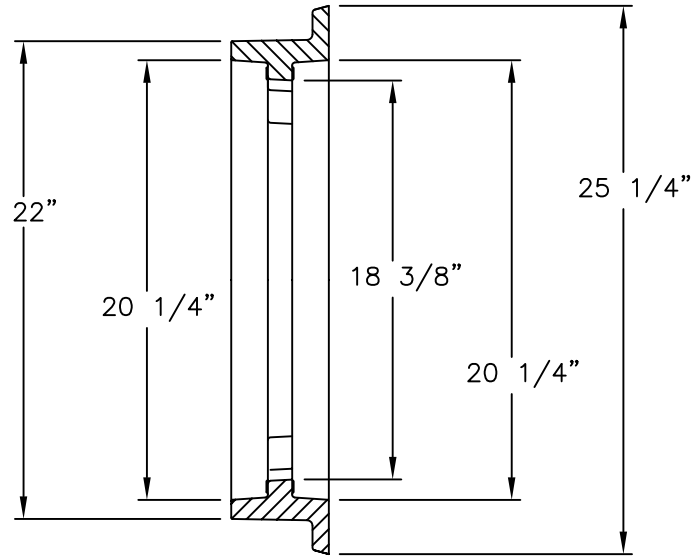
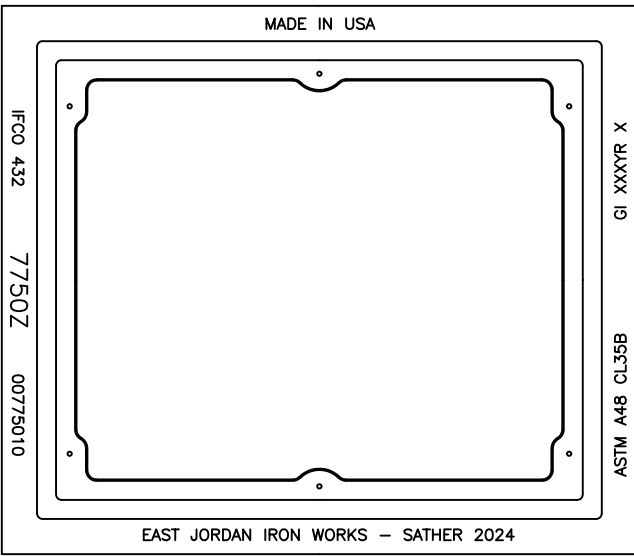
√ DESIGNATES MACHINED SURFACE

DRAWN KH	DATE 04/13/04
-------------	------------------

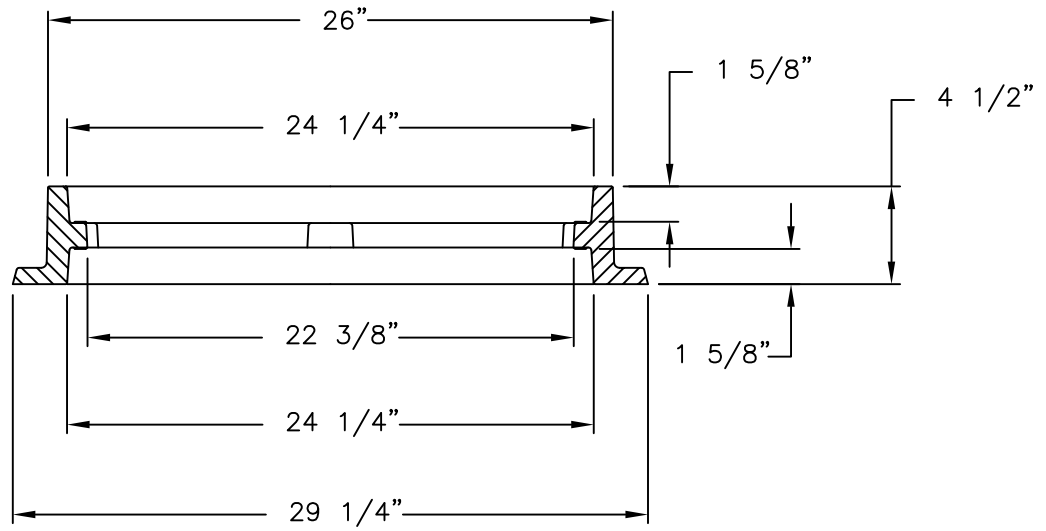
LAST REVISED DEW	DATE 11/30/07
---------------------	------------------

REFERENCE INFORMATION

00775011.1C
00775011.1D



SECTION



SECTION

NOTE: USE JULIAN DATE TAG