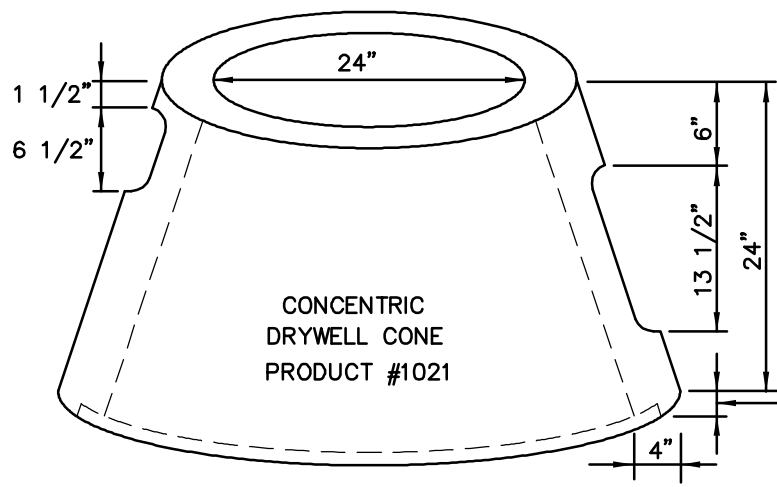


- RISER RINGS AVAILABLE
 PRODUCT #
- 6" TALL #6403
 - 4" TALL #6402
 - 3" TALL #6401
 - 2" TALL #6400

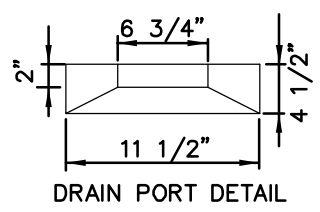


AVAILABLE IN 30" TALL
 ECCENTRIC CONE
 PRODUCT #1038

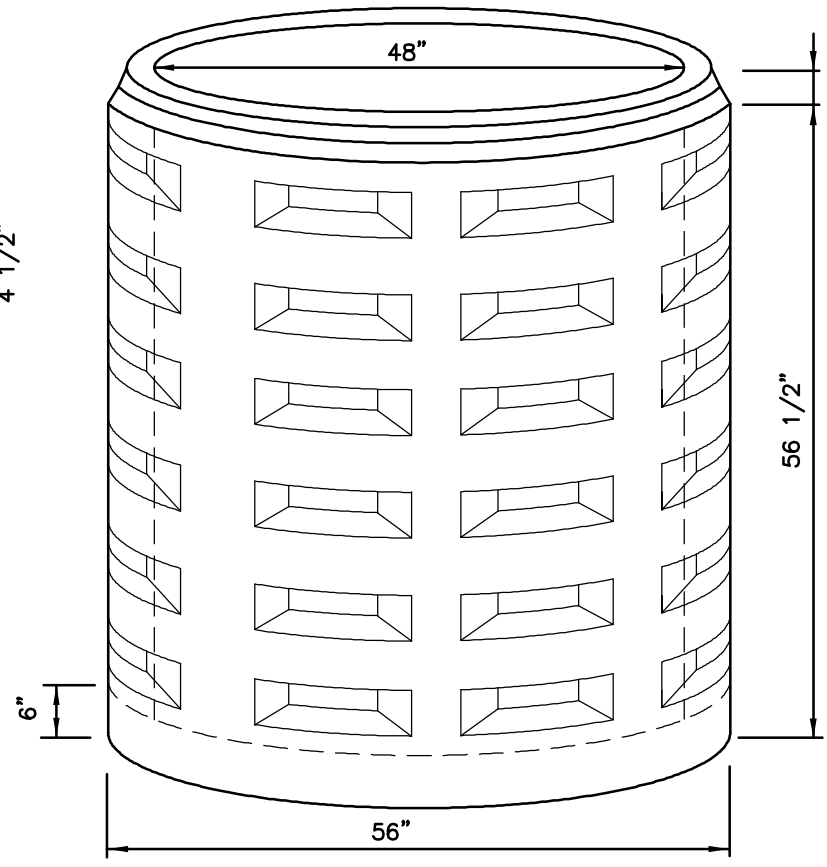
REVERSE TONGUE
 AND GROOVE

CONCENTRIC
 DRYWELL CONE
 PRODUCT #1021

SEE PRODUCT #4107
 FOR REINFORCED
 STREET LID



DRAIN PORT DETAIL



MONO BASE SECTION
 PRODUCT #1014

SPOKANE COUNTY TYPE "A" DRYWELL
 STANDARD PLAN NO. B-1 / B-1a

NOT TO SCALE

WHITE BLOCK CO., INC.
 CONCRETE · PUMICE · BUILDING PRODUCTS
 QUALITY MANUFACTURER SINCE 1947
 WWW.WHITEBLOCKCOMPANY.COM
 6219 East Trent Spokane, Washington 99212-1280 509/534-0851 FAX 509/534-0854

**TYPE "A" DRYWELL
 WITH MONOLITHIC BASE SECTION**
 PRODUCT # 1032

SHEET
D-1
 REVISED
 02/25/08