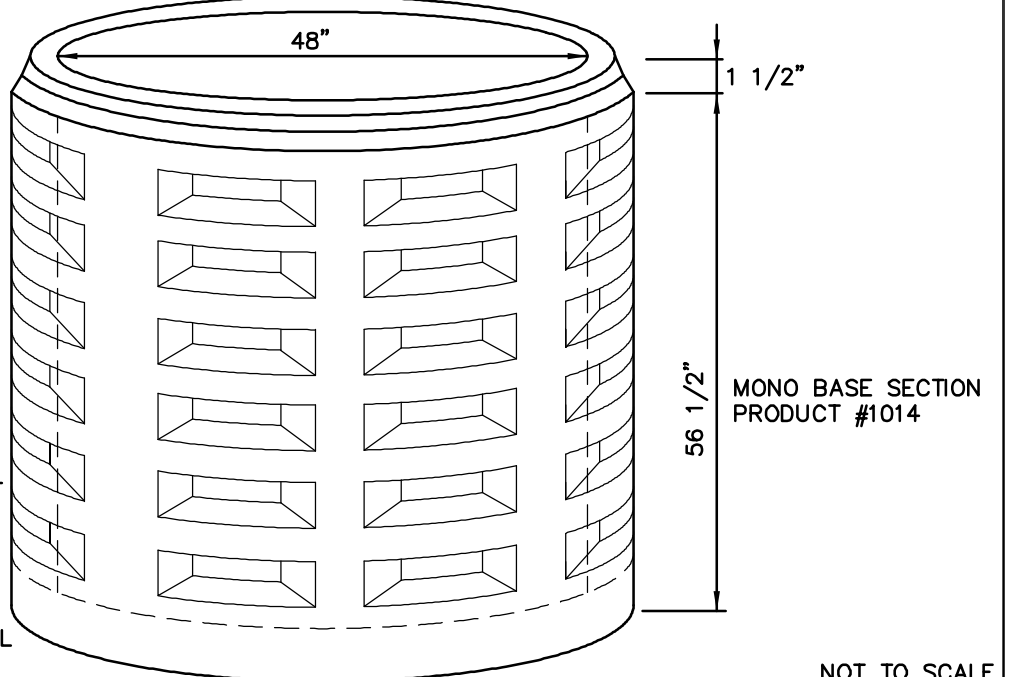
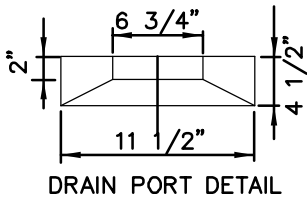
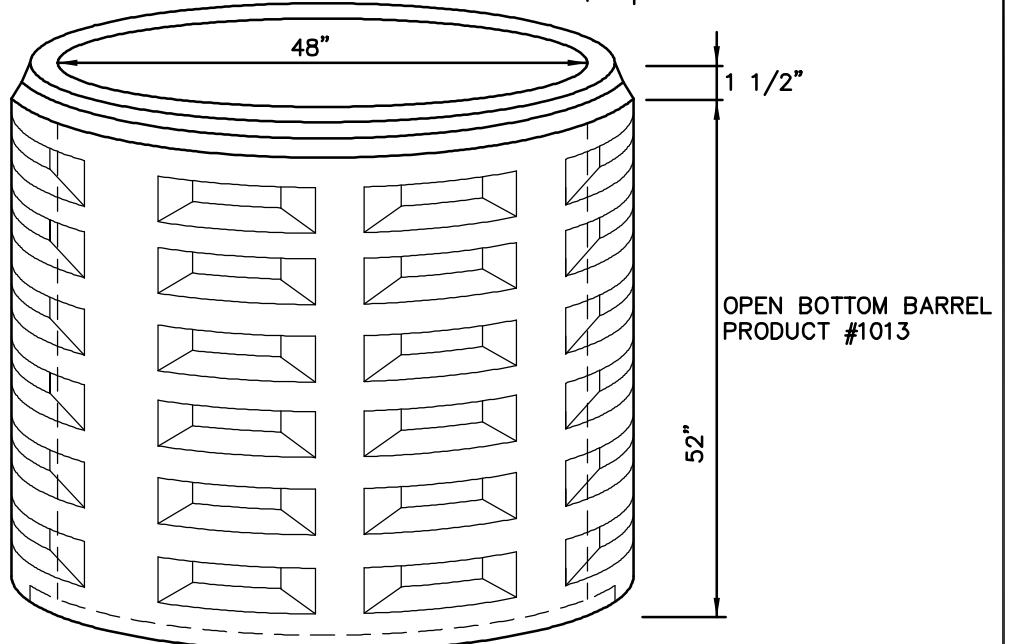


REVERSE TONGUE  
AND GROOVE



CITY OF SPOKANE TYPE "2" DRYWELL  
STANDARD PLAN NO. B-102D

SPOKANE COUNTY TYPE "B" DRYWELL  
STANDARD PLAN NO. B-1 / B-1a



NOT TO SCALE