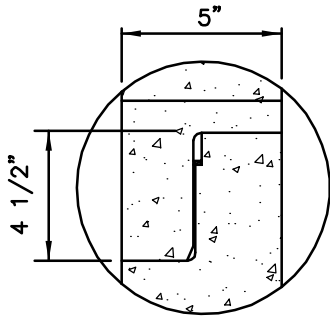
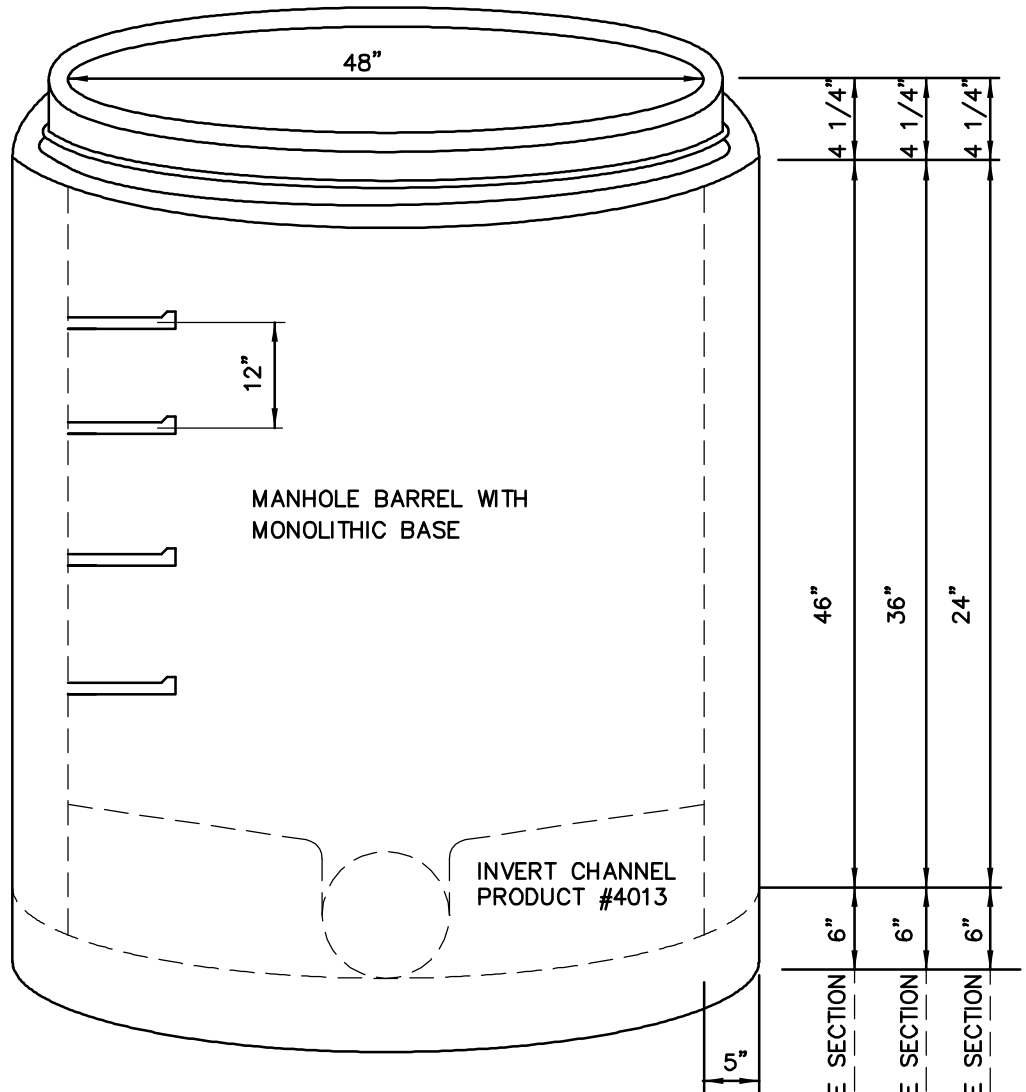


GASKETED JOINT DETAIL



A.S.T.M. 443 AND
A.A.S.H.T.O. M198

5" WALL A.S.T.M. - 478
REVERSE TONGUE AND
GROOVE

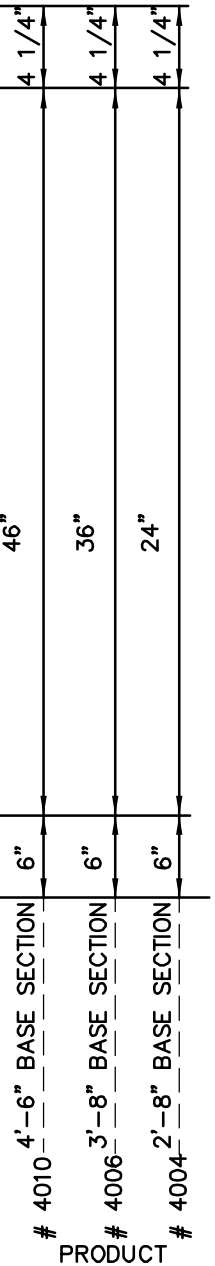


SPECIAL HOLES
UPON REQUEST

NOTE:

48" INVERT CHANNELS - CUSTOM
ORDERS - PRODUCT #4013

PRESS SEAL DIRECT DRIVE RUBBER
BOOTS AVAILABLE, SIZES 4" AND UP



NOT TO SCALE