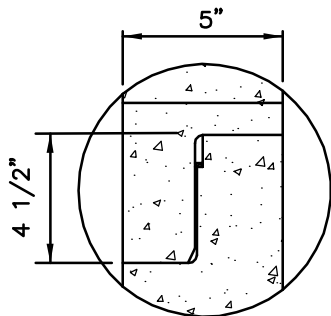
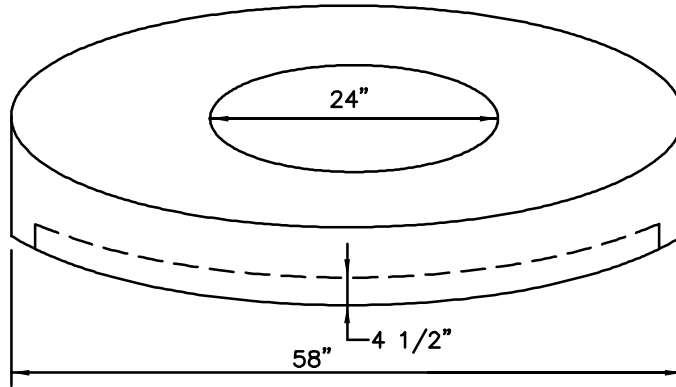


GASKETED JOINT DETAIL

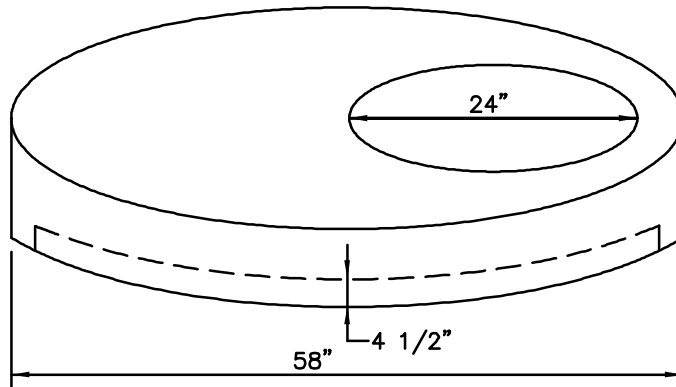


A.S.T.M. 443 AND
A.A.S.H.T.O. M198



12 1/2"

REINFORCED STREET LID
WITH CENTER HOLE
PRODUCT #4002



12 1/4"

REINFORCED STREET LID
WITH OFFSET HOLE
PRODUCT #4001

NOT TO SCALE