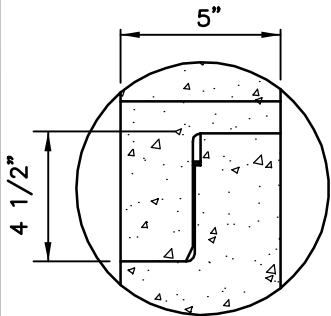
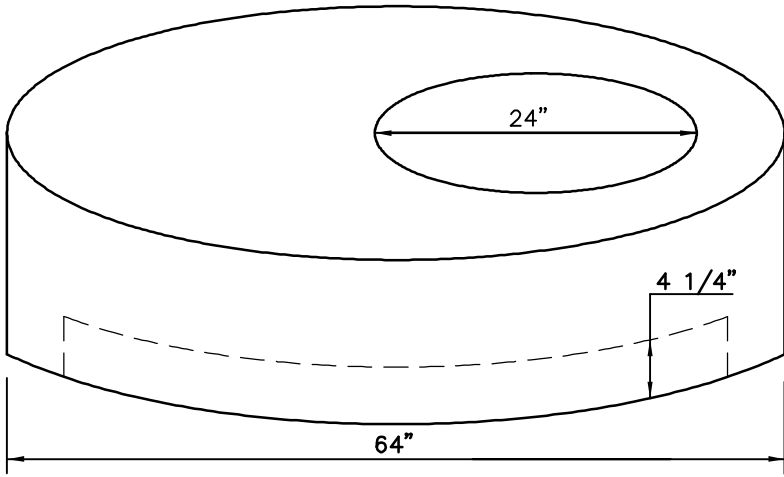


5" WALL A.S.T.M. = 478
REVERSE TONGUE AND
GROOVE

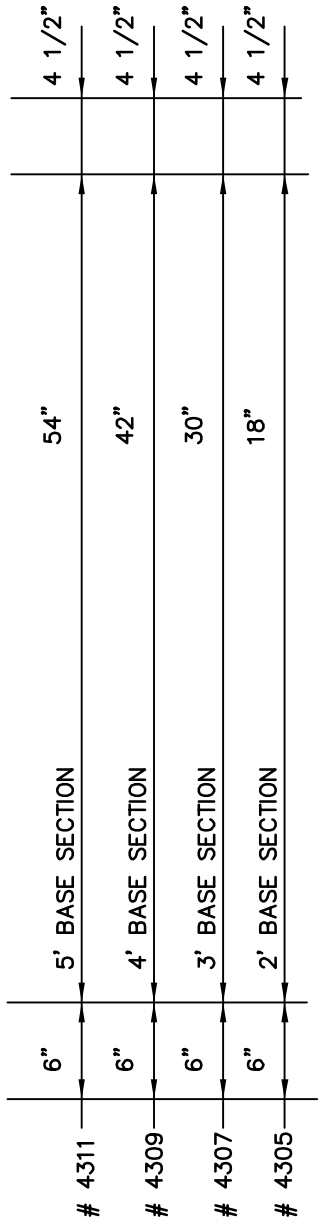
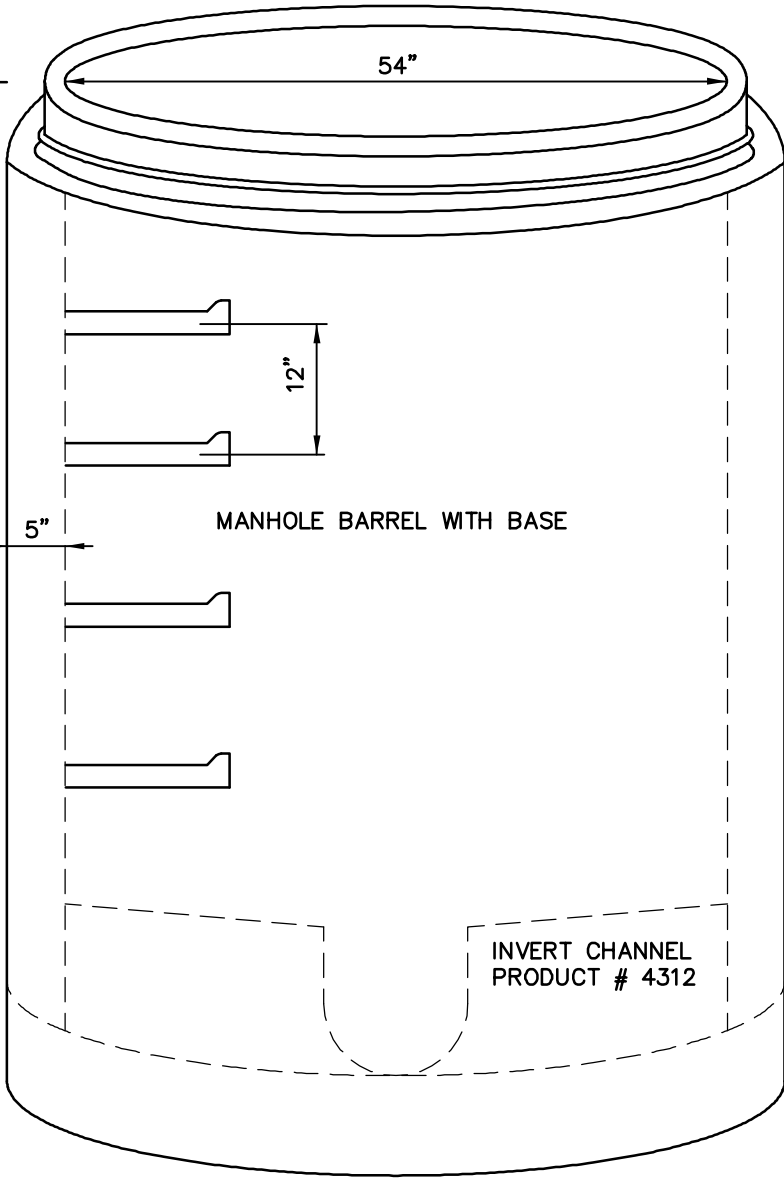


GASKETED JOINT DETAIL
A.S.T.M. 443 AND
A.A.S.H.T.O. M198



REINFORCED
STRUCTURAL LID,
- OFFSET HOLE #4302
- CENTER HOLE #4301

PRODUCT # 4001



SPECIAL HOLES
UPON REQUEST

MANHOLE BARREL WITH BASE

INVERT CHANNEL
PRODUCT # 4312

NOTE:

54" INVERT CHANNEL
CUSTOM ORDER
PRODUCT #4312

PRESS SEAL DIRECT DRIVE
RUBBER BOOTS AVAILABLE

NOT TO SCALE