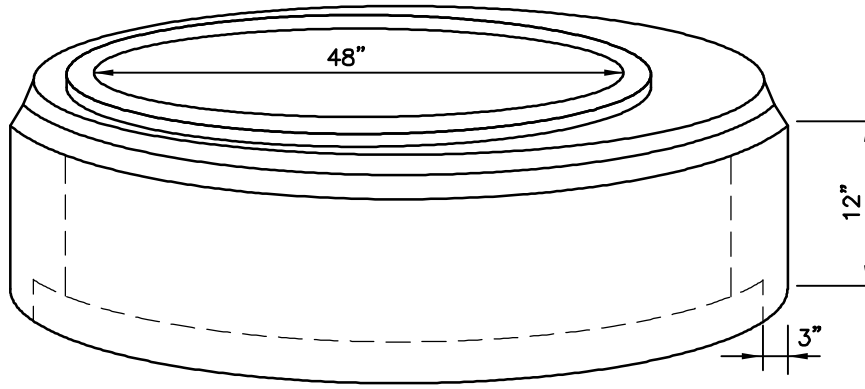
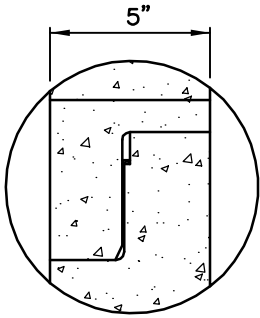


5" WALL A.S.T.M. - 478  
 REVERSE TONGUE AND  
 GROOVE

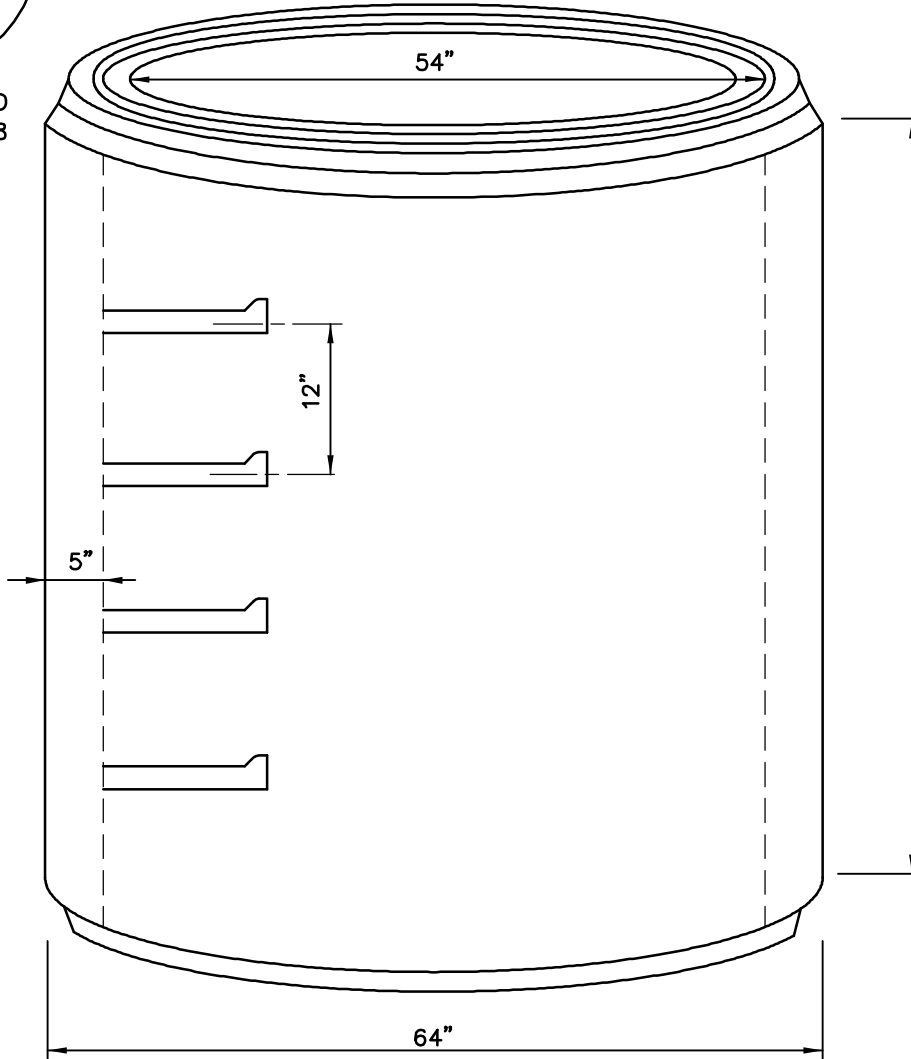


54" TO 48"  
 REDUCING SLAB  
 #4303

GASKETED  
 JOINT DETAIL



A.S.T.M. 443 AND  
 A.A.S.H.T.O. M198



BARRELS AVAILABLE:

- 5' TALL # 4310
- 4' TALL # 4308
- 3' TALL # 4306
- 2' TALL # 4304
- 1' TALL # 4300

WITH OR WITHOUT  
 STEPS

SPECIAL HOLES  
 UPON REQUEST

NOT TO SCALE