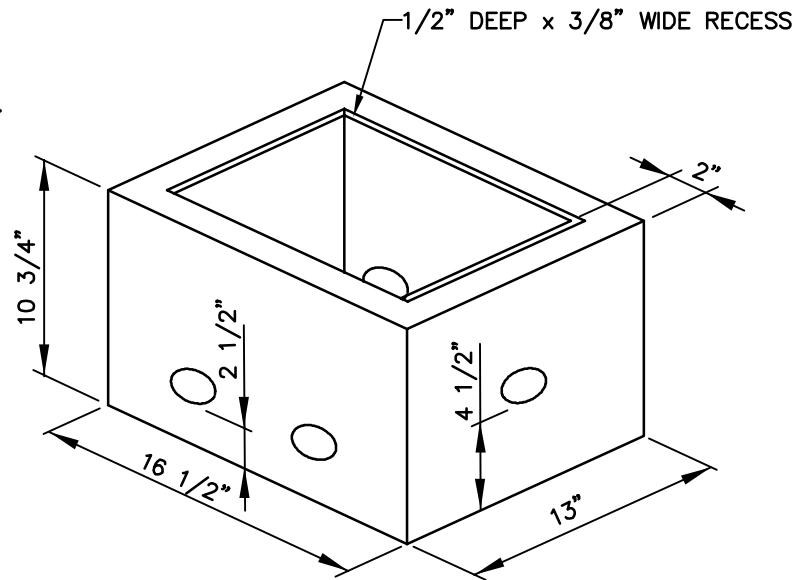


SIX HOLE DISTRIBUTION BOX

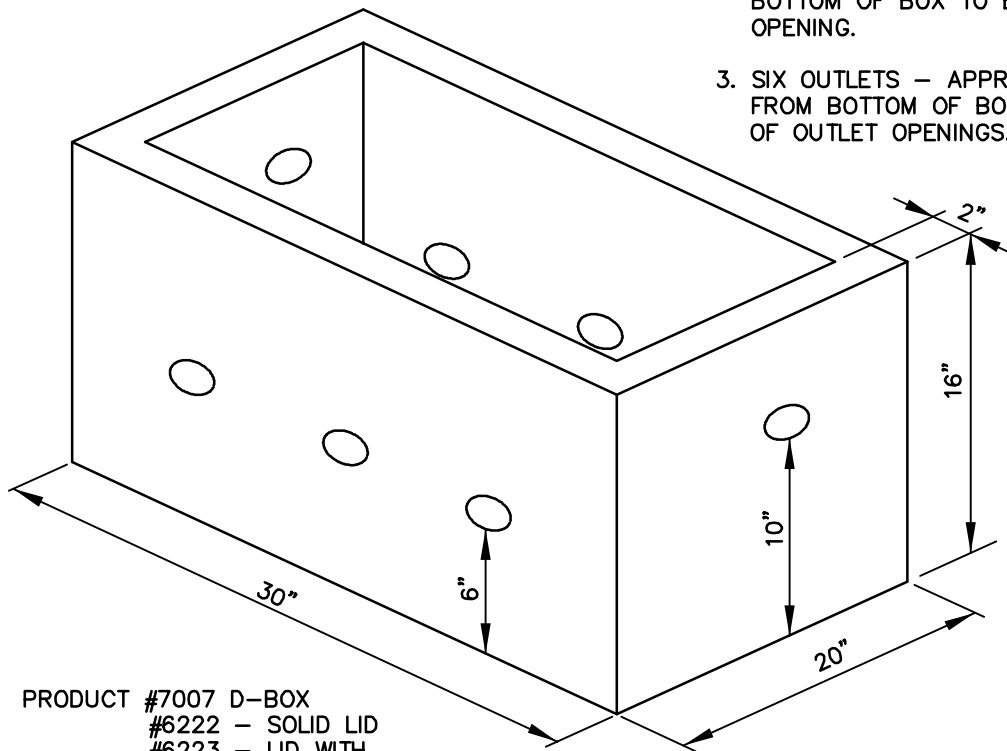
1. 2" WALLS - WITH 2" THICK LID.
2. ONE INLET - APPROXIMATELY 4 1/2" FROM BOTTOM OF BOX TO BOTTOM OF INLET OPENING.
3. FIVE OUTLETS - APPROXIMATELY 2 1/2" FROM BOTTOM OF BOX TO BOTTOM OF OUTLET OPENINGS.



PRODUCT #7006 BOX
 #6221 - SOLID LID
 #6202 - LID WITH 4" SAMPLING COUPLING

NINE HOLE DISTRIBUTION BOX

1. 2" WALLS - WITH 3" THICK LID.
2. ONE INLET - APPROXIMATELY 10" FROM BOTTOM OF BOX TO BOTTOM OF INLET OPENING.
3. SIX OUTLETS - APPROXIMATELY 6" FROM BOTTOM OF BOX TO BOTTOM OF OUTLET OPENINGS.



PRODUCT #7007 D-BOX
 #6222 - SOLID LID
 #6223 - LID WITH SAMPLING COUPLING

NOT TO SCALE