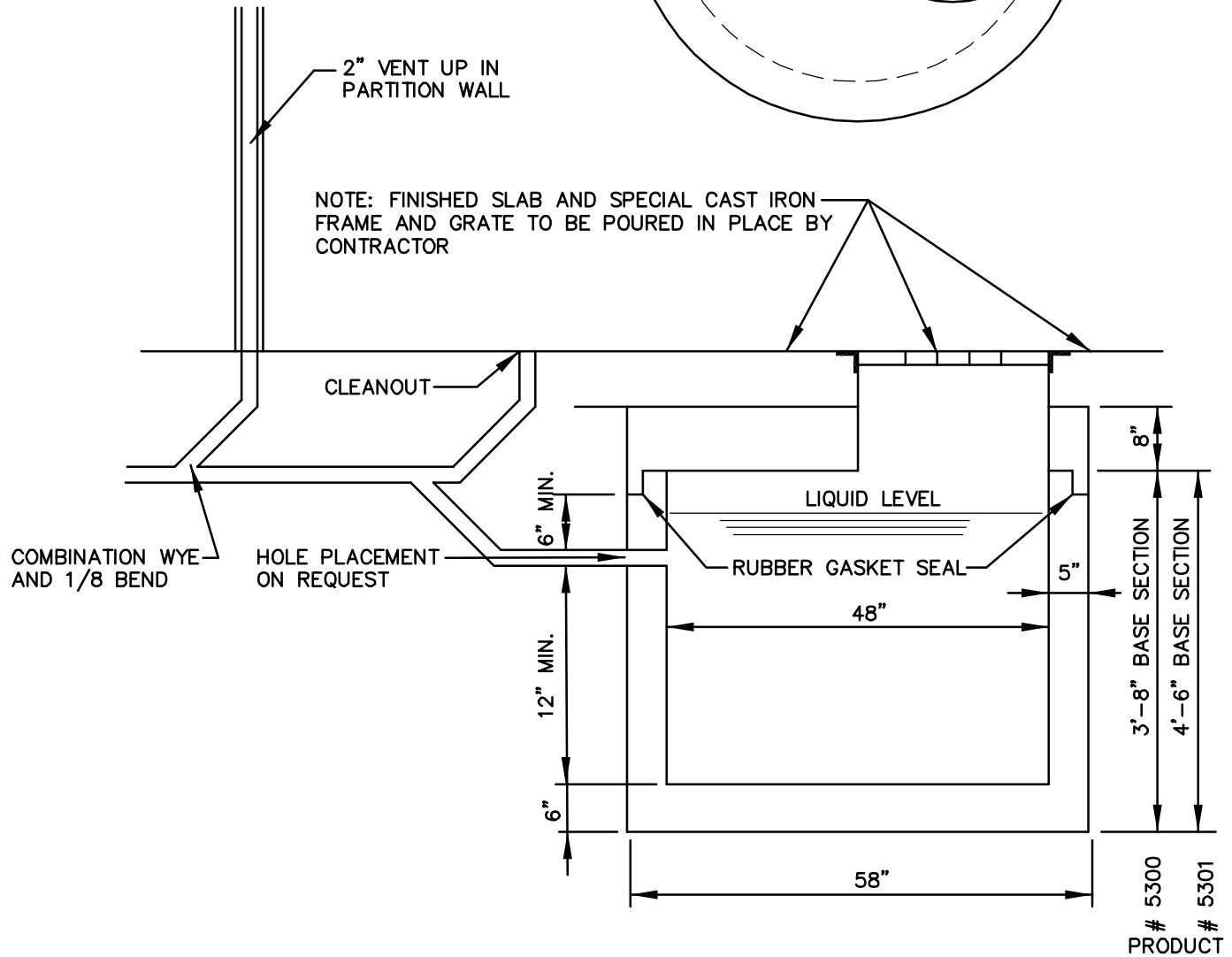


2" VENT UP IN PARTITION WALL

NOTE: FINISHED SLAB AND SPECIAL CAST IRON FRAME AND GRATE TO BE POURED IN PLACE BY CONTRACTOR



NOT TO SCALE