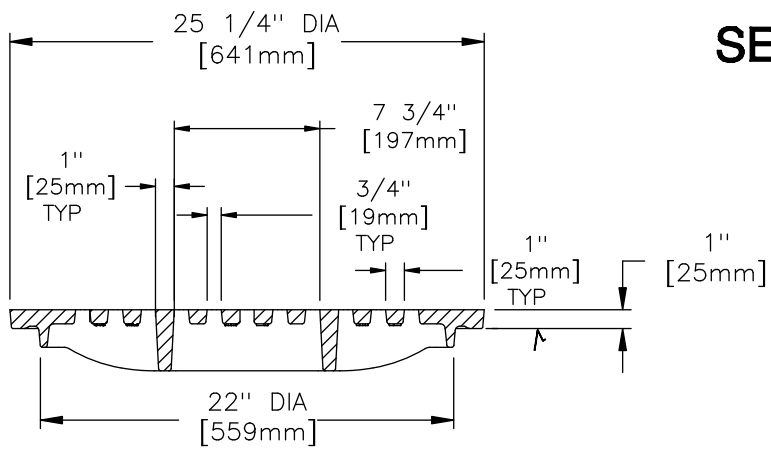


**SECTION**

**BOTTOM VIEW**



**SECTION**

√ MACHINED SURFACE

EAST JORDAN  
IRON WORKS, INC.  
P.O. BOX 439  
EAST JORDAN, MI. 49727  
1-800-874-4100  
FAX 231-536-4458

DRAWN DEW	DATE 07/12/05
APPROVED	DATE

**CATCH BASIN  
GRATE**

PRODUCT NO.  
**00184830**

CATALOG NO.  
**1848M**

REF. PRODUCT DRAWING  
00184830

EST. WT.  
GRATE: 120 LBS 54kg

OPEN AREA  
128 SQ. IN.  
826 SQ. CM

MAT'L SPEC.  
GRATE - GRAY IRON  
ASTM A48 CL35B

LOAD RATING  
HEAVY DUTY