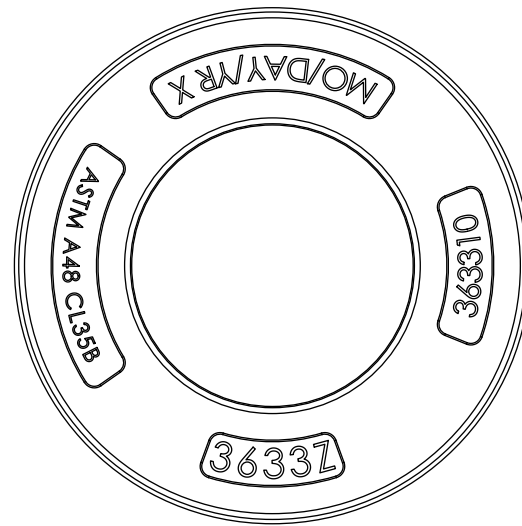
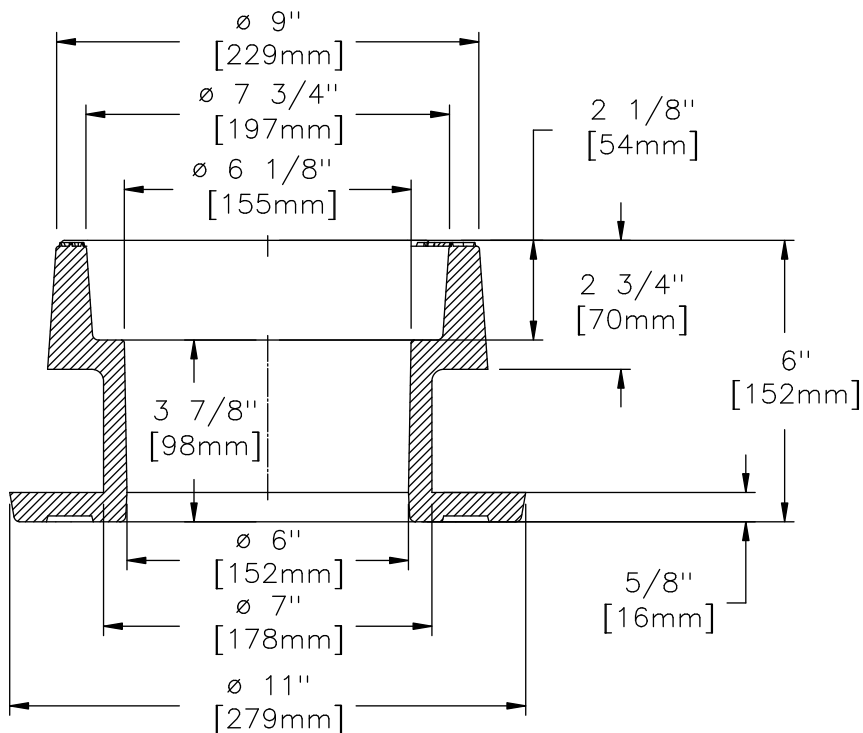


**PLAN VIEW**



**BOTTOM VIEW**



**SECTION VIEW**

EAST JORDAN  
IRON WORKS, INC.  
P.O. BOX 439  
EAST JORDAN, MI. 49727  
1-800-874-4100  
FAX 231-536-4458

DRAWN TCL	DATE 03/15/06
MODIFIED	DATE

FRAME

PRODUCT NUMBER  
**00363310**

CATALOG NUMBER  
**3633Z**

REF. PRODUCT DRAWING  
00363310 SLD.

ESTIMATED WEIGHT  
FRAME: 35 LBS 15kg

OPEN AREA  
N/A

MAT'L SPEC.  
FRAME - GRAY IRON  
ASTM A48 CL35B

LOAD RATING  
HEAVY DUTY