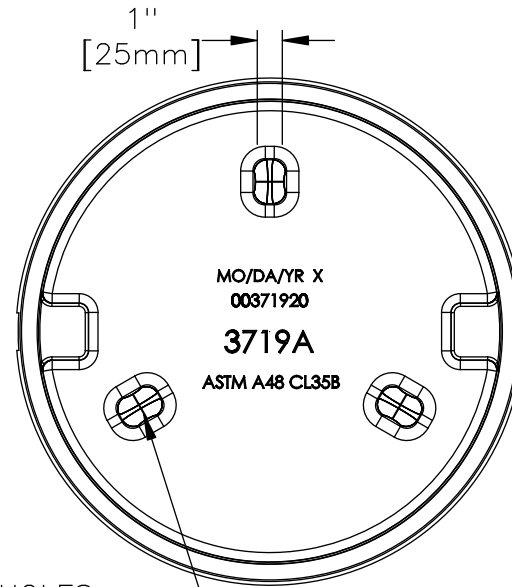
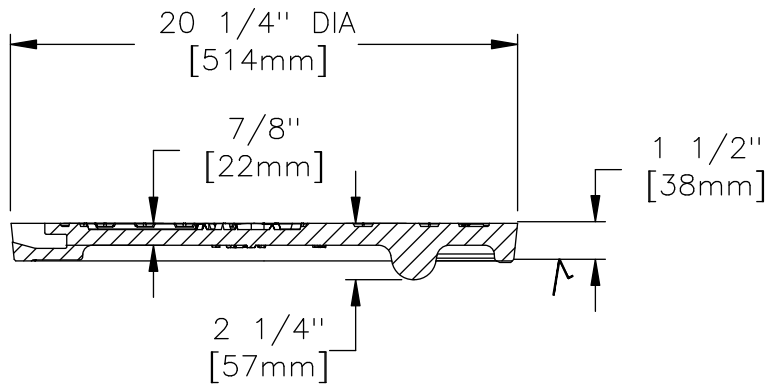


(2) CLOSED PICKHOLES
(REF. 10402000 CORE)

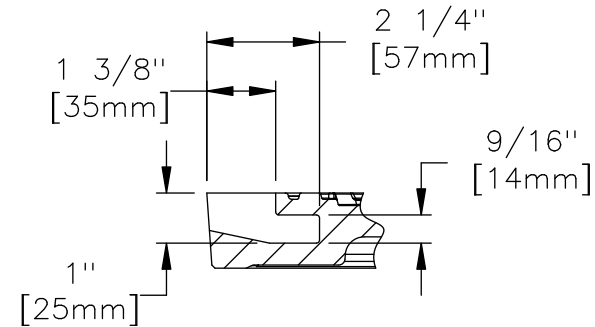


(3) STACKING LUGS

COVER BACK



COVER SECTION



PICKHOLE DETAIL

√ MACHINED SURFACE

EAST JORDAN
IRON WORKS, INC.
P.O. BOX 439
EAST JORDAN, MI. 49727
1-800-874-4100
FAX 231-536-4458

DRAWN DEW	DATE 02/10/06
APPROVED	DATE

MANHOLE COVER

PRODUCT NO.
00371920

CATALOG NO.
3719A

REF. PRODUCT DRAWING
00371923

EST. WT.
COVER: 75 LBS 34kg

OPEN AREA
N/A

MAT'L SPEC.
COVER - GRAY IRON
ASTM A48 CL35B

LOAD RATING
HEAVY DUTY