

EJIW EAST JORDAN
IRON WORKS EST. 1883

800-626-4653

www.ejiw.com

MADE IN USA

PRODUCT NUMBER

00371930

CATALOG NUMBER

3719M DI

**CATCH BASIN
GRATE**

LOAD RATING

HEAVY DUTY

COATING

DIPPED

ESTIMATED WEIGHT

GRATE: 56 LBS

MATERIAL SPECIFICATION

GRATE - DUCTILE IRON
ASTM A536

OPEN AREA

121 SQ. INCHES

✓ DESIGNATES MACHINED
SURFACE

DRAWN

DEW

DATE

03/22/06

LAST REVISED

GAD

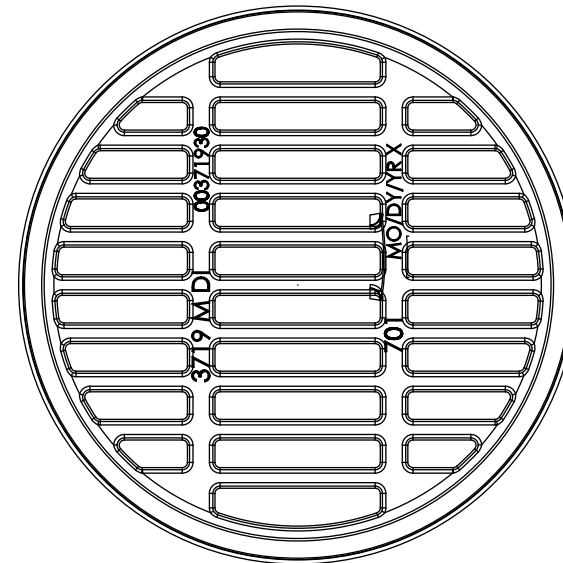
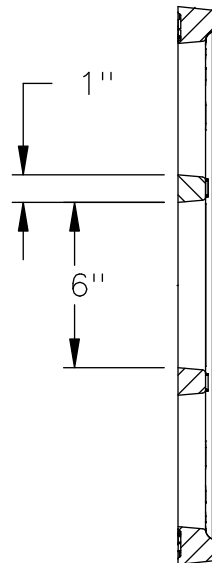
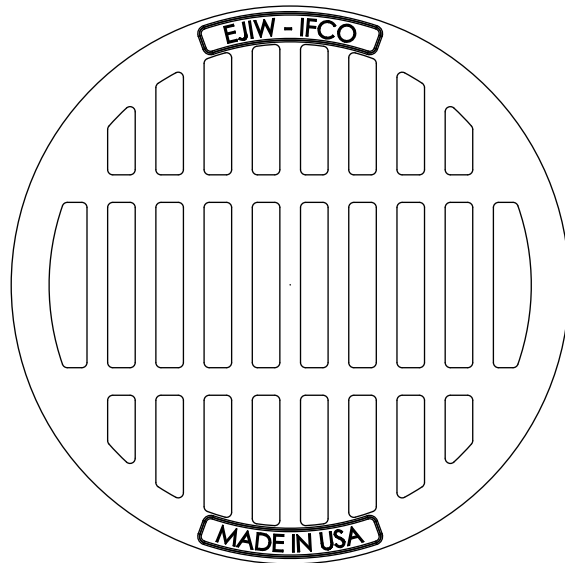
DATE

11/08/07

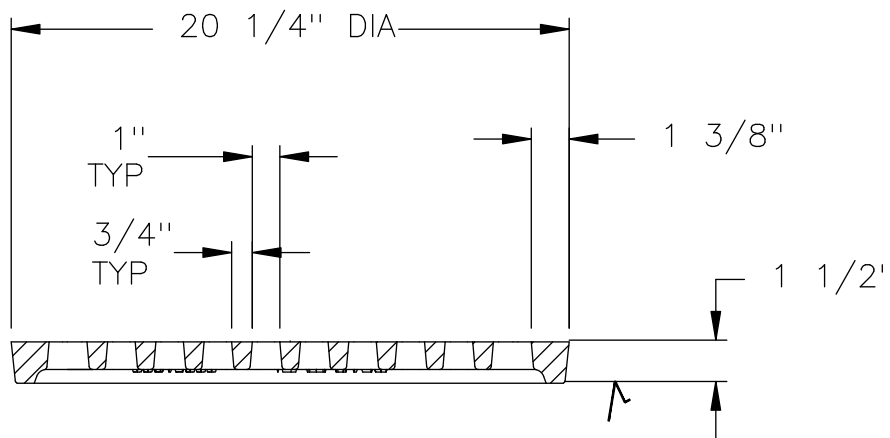
REFERENCE INFORMATION

00371930.1C

00371930.1D



GRATE BACK



GRATE SECTION

CONFIDENTIAL: This drawing is the property of East Jordan Iron Works, Inc. and embodies confidential information, trade secret information, and/or know how that is the property of East Jordan Iron Works, Inc. © Copyright 2007 East Jordan Iron Works, Inc.