

PRODUCT NUMBER

**00372640**

CATALOG NUMBER

**3726C DI**

**SPOKANE  
B-25 MANHOLE  
TYPE 2 UNIT**

LOAD RATING

**HEAVY DUTY**

COATING

**DIPPED**

ESTIMATED WEIGHT

COVER: 115 LBS 52kg

MATERIAL SPECIFICATION

COVER - DUCTILE IRON  
ASTM A536

OPEN AREA

N/A

✓ DESIGNATES MACHINED  
SURFACE

DRAWN

DEW

DATE

05/18/06

LAST REVISED

DEW

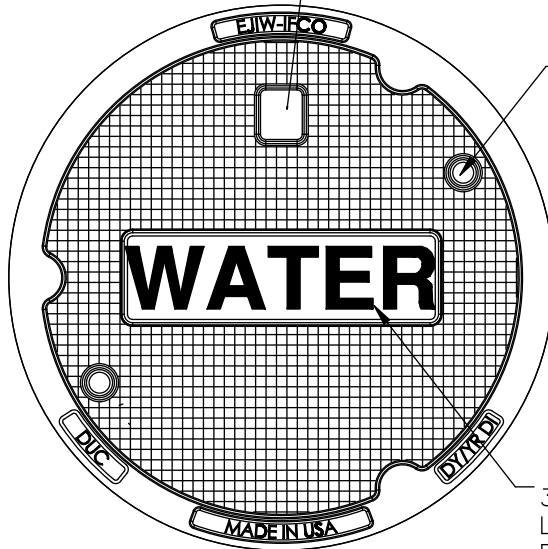
DATE

09/27/06

REFERENCE INFORMATION

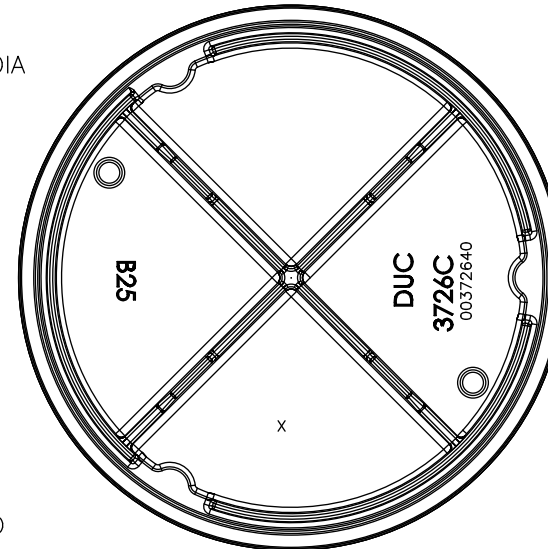
00372622

BOSS FOR BLIND  
PICK NOTCH

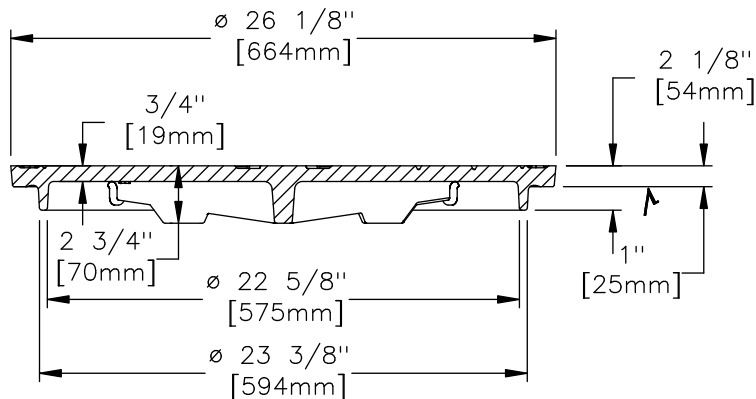


(2) 1" [25mm] DIA  
HOLES

3" [76mm] BLOCK  
LETTERING RECESSED  
FLUSH



**COVER BACK**



**COVER SECTION**