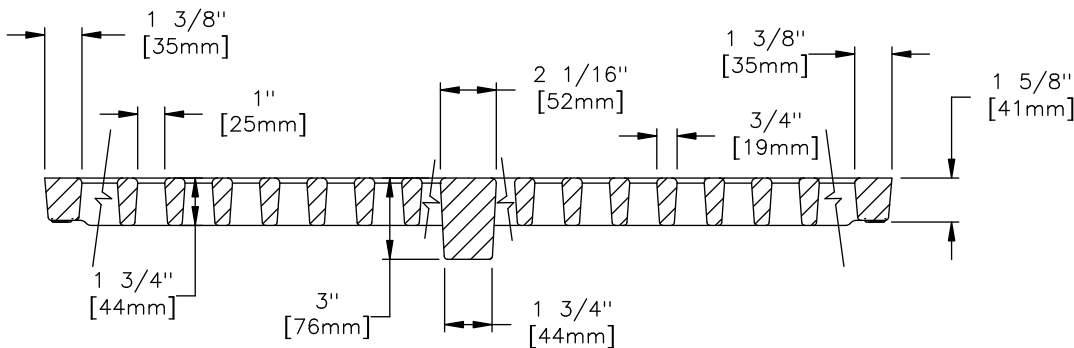


SECTION B-B



SECTION A-A

NOTE: USE JULIAN DATE TAG

EAST JORDAN
IRON WORKS, INC.
P.O. BOX 439
EAST JORDAN, MI. 49727
1-800-874-4100
FAX 231-536-4458

DRAWN KH	DATE 04/13/04
APPROVED	DATE

HERRINGBONE GRATE

PRODUCT NO.
00775030
DIPPED
CATALOG NO.
7750M1 DI

REF. PRODUCT DRAWING
00775031

EST. WT.
GRATE: 126 LBS 57kg

OPEN AREA
185 SQ. INCHES
1194 SQ. CM

MAT'L SPEC.
GRATE - DUCTILE IRON
ASTM A536

LOAD RATING
HEAVY DUTY