

EAST JORDAN  
IRON WORKS, INC.  
P.O. BOX 439  
EAST JORDAN, MI. 49727  
1-800-874-4100  
FAX 231-536-4458

DRAWN KH	DATE 04/13/04
APPROVED	DATE

## VANE GRATE

PRODUCT NO.  
**00775040**  
**(DIPPED)**

CATALOG NO.  
**7750M2 DI**

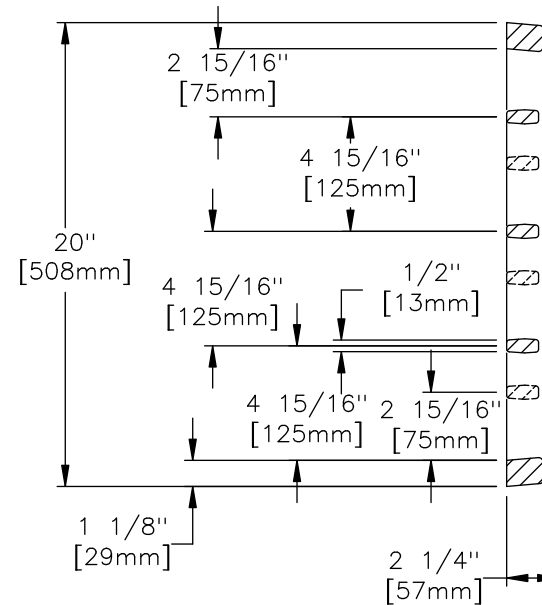
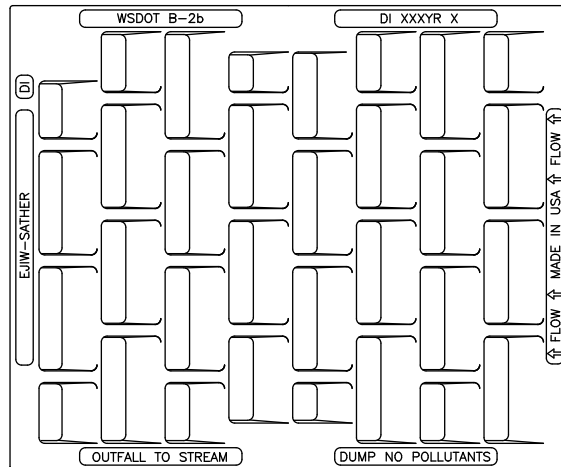
REF. PRODUCT DRAWING  
00775045

EST. WT.  
GRATE: 120 LBS 55kg

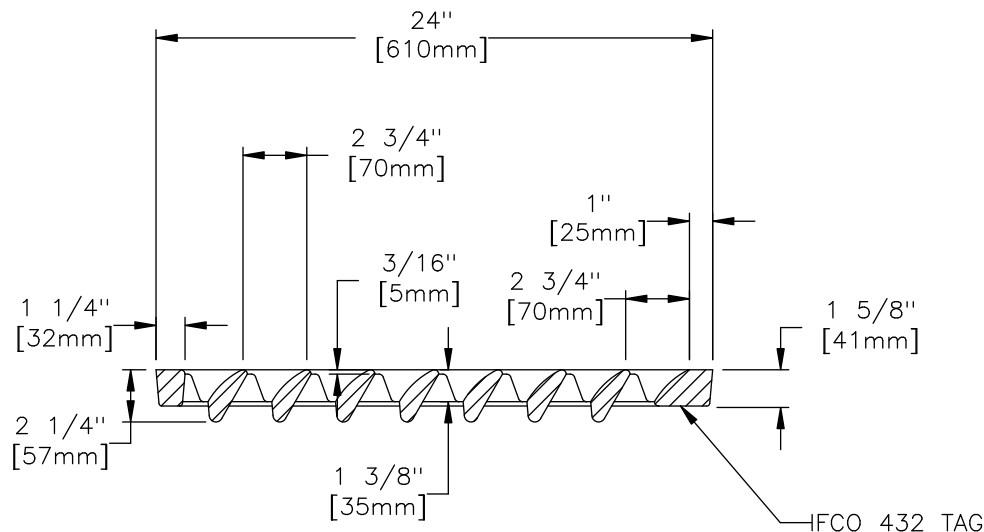
OPEN AREA  
216 SQ. IN. (1394 SQ. CM.)

MAT'L SPEC.  
GRATE - DUCTILE IRON  
ASTM A536

LOAD RATING  
HEAVY DUTY



**SECTION OF GRATE**



**SECTION OF GRATE**

**NOTE: USE JULIAN DATE TAG**