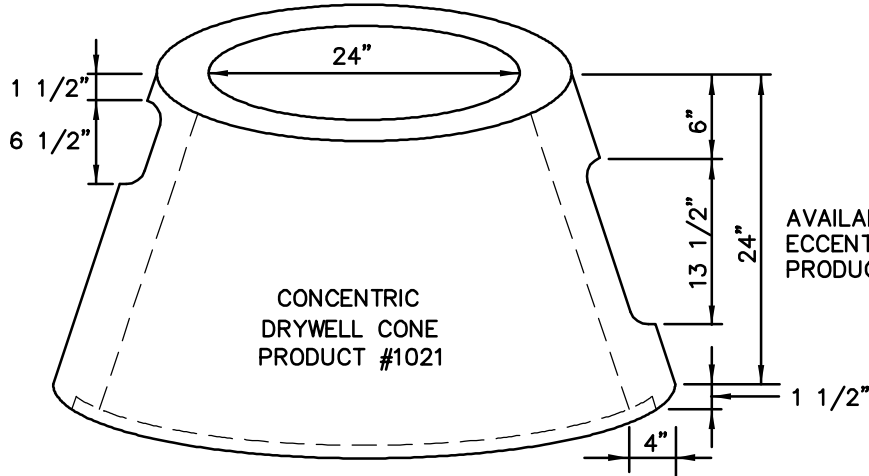


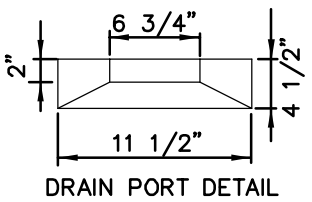
- RISER RINGS AVAILABLE
PRODUCT #
- 6" TALL #6403
 - 4" TALL #6402
 - 3" TALL #6401
 - 2" TALL #6400



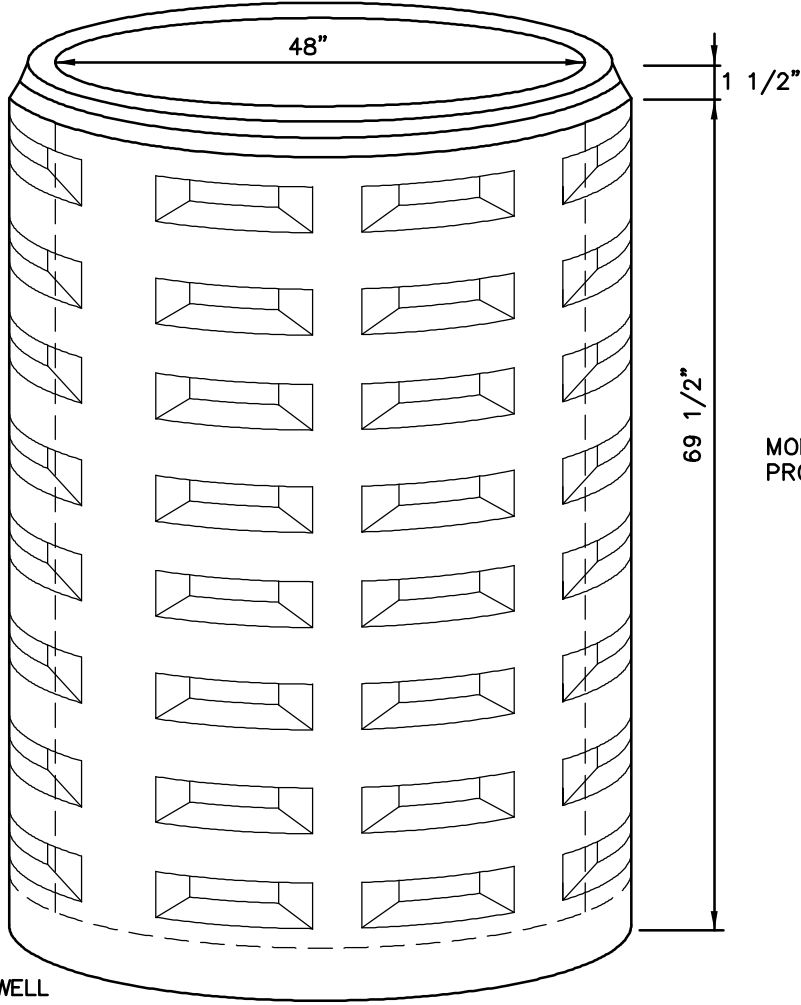
AVAILABLE IN 30" TALL
ECCENTRIC CONE
PRODUCT #1038

REVERSE TONGUE
AND GROOVE

CONCENTRIC
DRYWELL CONE
PRODUCT #1021



DRAIN PORT DETAIL



MONO BASE SECTION
PRODUCT #1016

CITY OF SPOKANE TYPE "1" DRYWELL
STANDARD PLAN NO. B-102C

NOT TO SCALE